

PALUMBO BLOCK CO., INC.

CONCRETE BLOCK AND MASON SUPPLIES

"BUILDING A FUTURE WITH CONCRETE QUALITY"™

SPRING 2007 • VOLUME 2 • ISSUE 1

Product Spotlight – Concrete Lintels

by Michael J. Burns, Masonry Consultant

As yet another year is behind us, and another is well under way, we look forward and ask ourselves how do we improve on what we do? The answer is simple. We will help you, our customer, do your job better and assist in making your projects more profitable. The products we use is a great place to start, and for this news letter we will focus on concrete lintels. In many parts of the country, concrete lintels are widely used. This is not the case in our region. Our goal is to show you the opportunities to build more efficiently using many types and sizes of concrete lintels. We believe there use will increase in our area, and it is our job to help in that transition.

Many designers are not aware of the potential, and to be more specific, the weight that lintels can hold. We consult with Architects and Engineers to use masonry as we always have and additionally to use concrete lintels where it makes sense. We have engineers available to work with you to assure the design requirements are met. We provide design tables that will show what few know, the weight they will carry. We will provide technical information about shear strengths, deflections and other issues. We also provide engineered drawings for specialty lintels. If you are on a project that may need lintels, let us help you evaluate, free of charge, if proposing a change to the designer makes sense for you and the project. When you use concrete lintels, they are put in place and the work proceeds without interruption.

Concrete block and concrete lintels work well together. They have the same characteristics of change due to moisture and temperature changes. When you introduce another trade or product, such as steel, you complicate the project and the schedule. The concrete lintel is certified to meet the design engineer's intent. Please do not forget the fact that fire ratings of masonry and concrete do not require sprayed on fire protection.

As a company we have always stocked and sold concrete lintels in standard sizes such as 4" wide by 8" high, in lengths 3' to 12' long. We have always

bid and sold specialty lintels, some as big as 12" by 24" by 32' long, as was supplied by Palumbo Block on the Washingtonville High School project this past summer. On that project the Architect, Engineer and Masonry Contractor used many large concrete lintels with great success.

As labor rates continue to rise, concrete lintels will play an important roll in cost savings, without decreasing the quality of the project. Standard concrete lintels that are machine made are very inexpensive. We sell closed and opened cell bond beam block, however their use can be limited, costly and time consuming.

As an industry we must always consider the safety of those who will use the buildings we all help to build. We need to build structures that will endure the test of time.

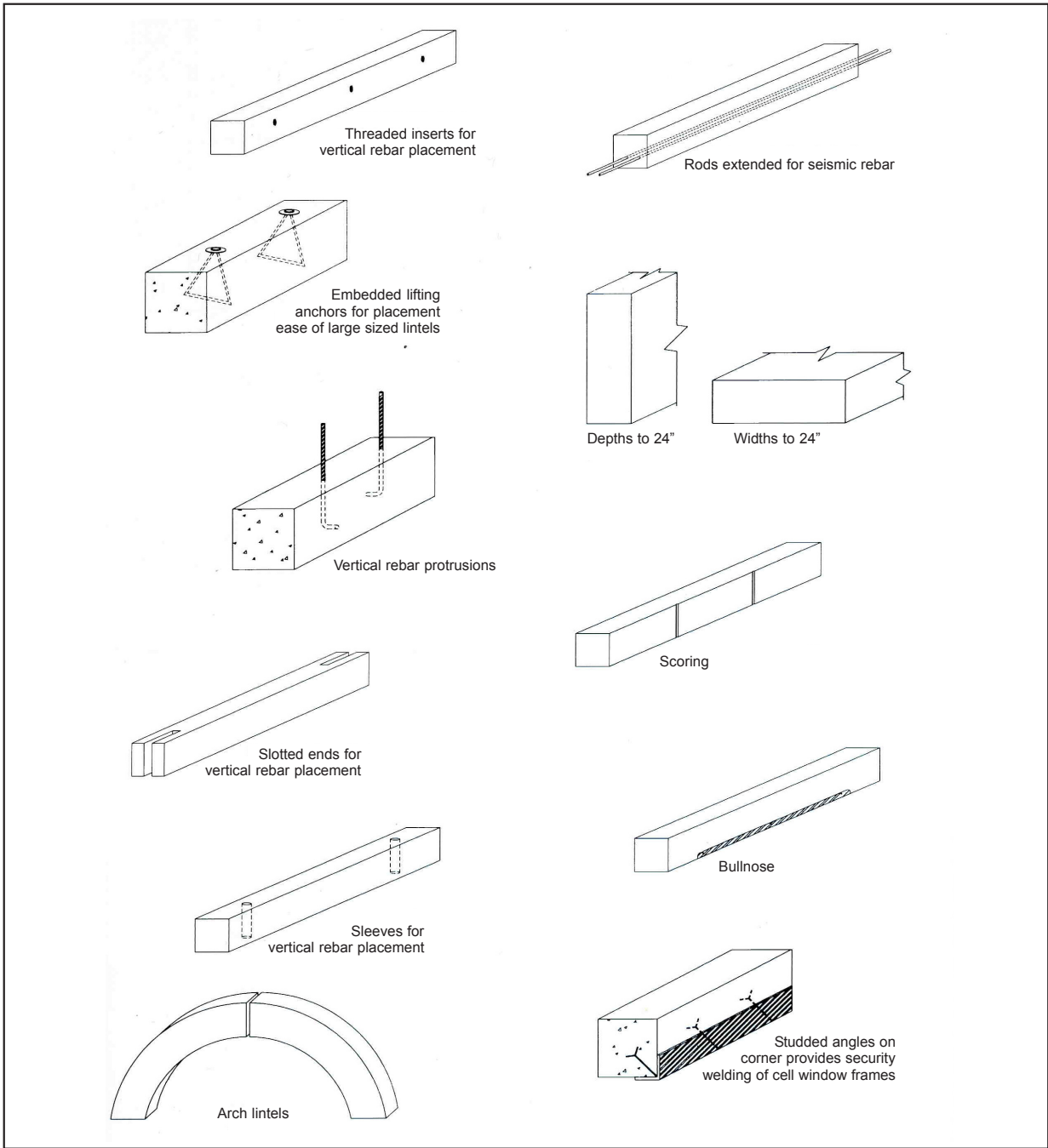
Thank you for using or considering the use of our products. The back of this newsletter contains some examples of what is available. If we can assist in any way please contact the sales department.

Note: We would like to remind all our customers that we sell brick and all its related products. If your project requires brick, please contact one of our sales representatives. They will work with you to assure you get a quality product, and of course a great price!



Sponsored By:

FADDIS®
CONCRETE
PRODUCTS



1-800-724-8460

Fax: 845-832-6431
 365 Dover Furnace Road
 Dover Plains, NY 12522
www.palumbo.biz
info@palumbo.biz

Customer Service	Ext. 100
Accounts Receivable	Ext. 110
Dispatch	Ext. 109
Operations	Ext. 108
Sales	Ext. 112