

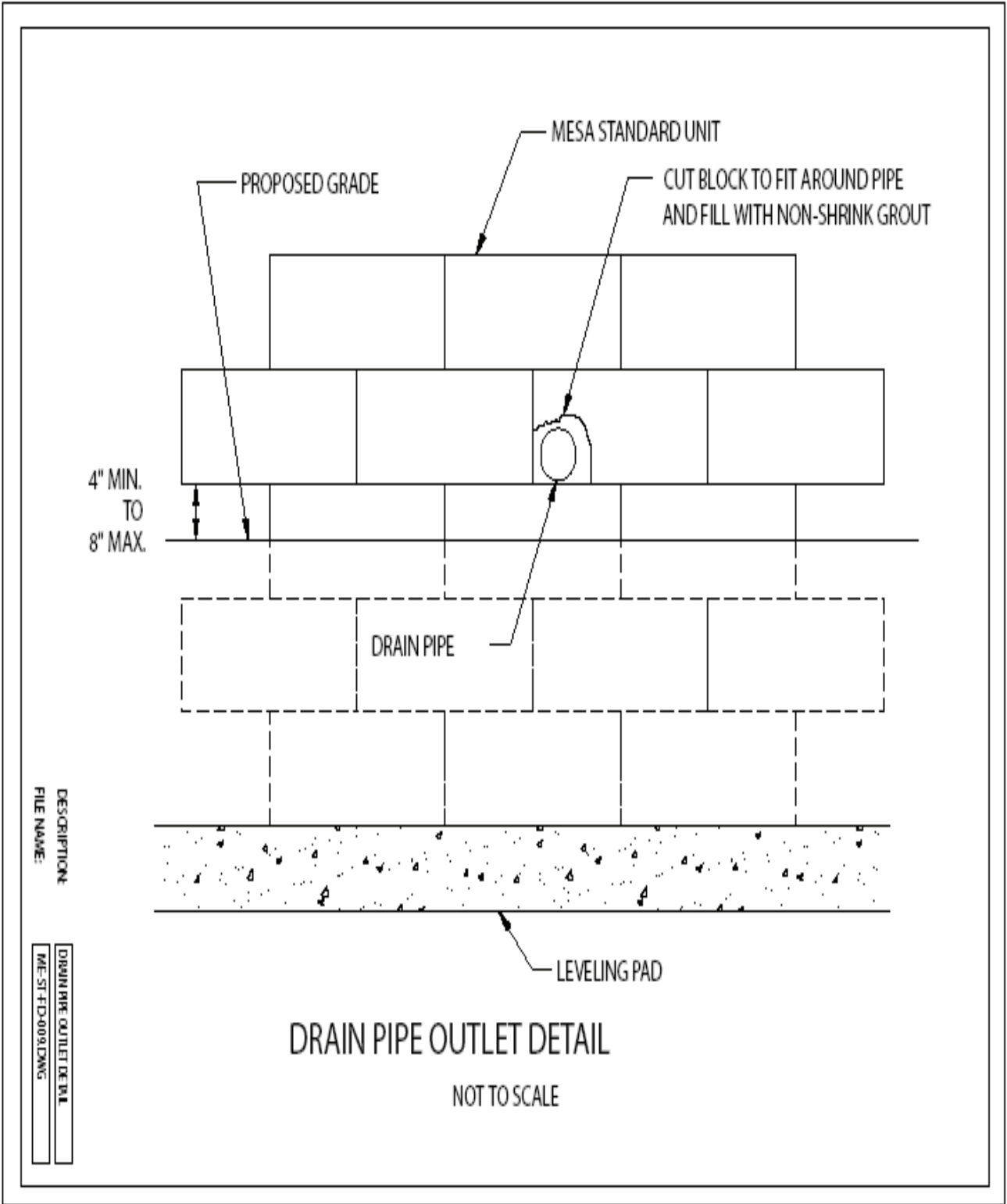
TYPICAL CROSS-SECTION

DESCRIPTION: TYPICAL CROSS-SECTION
 FILE NAME: MESA-CS-003.DWG

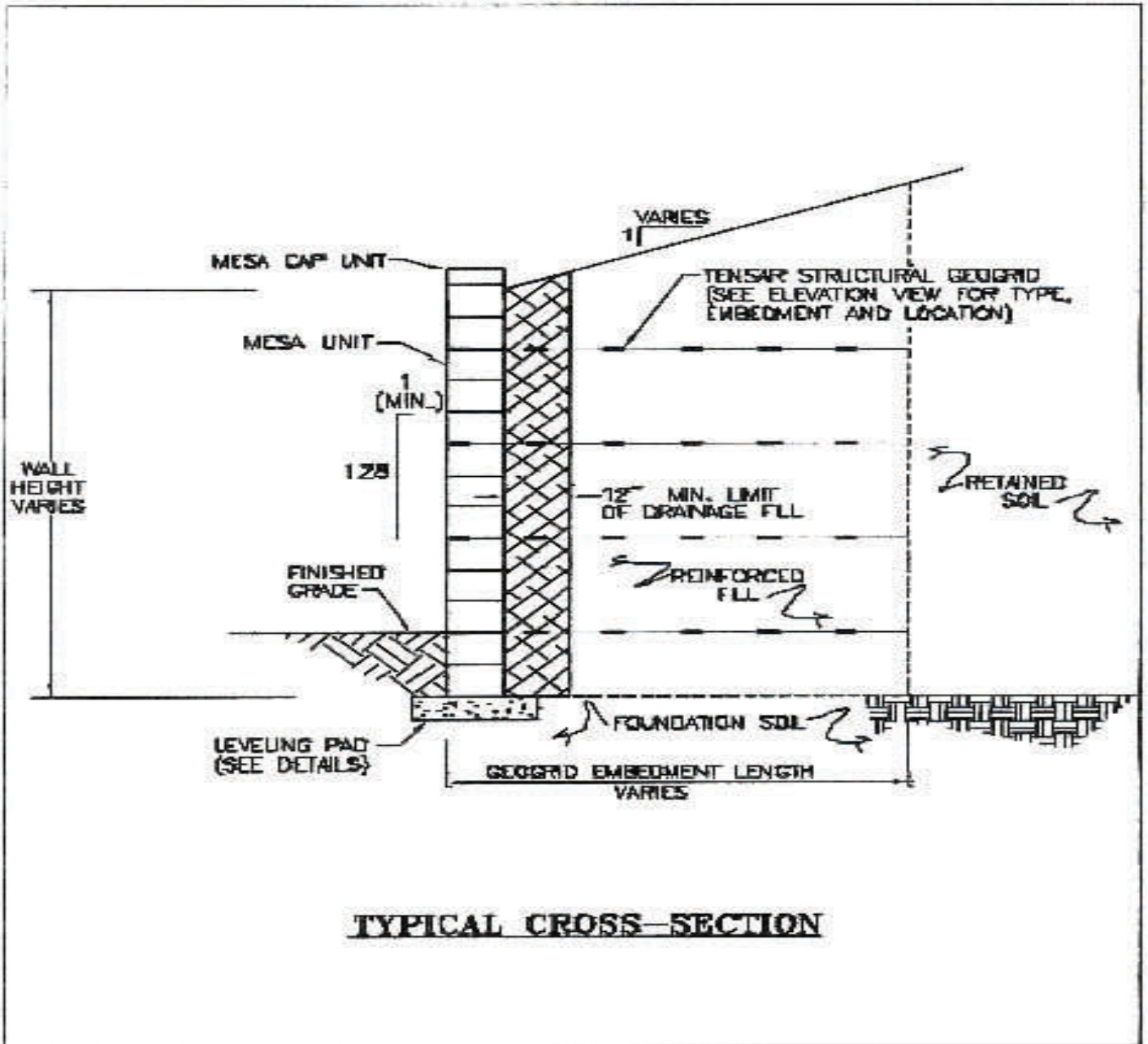




MESA
 RETAINING WALL SYSTEMS

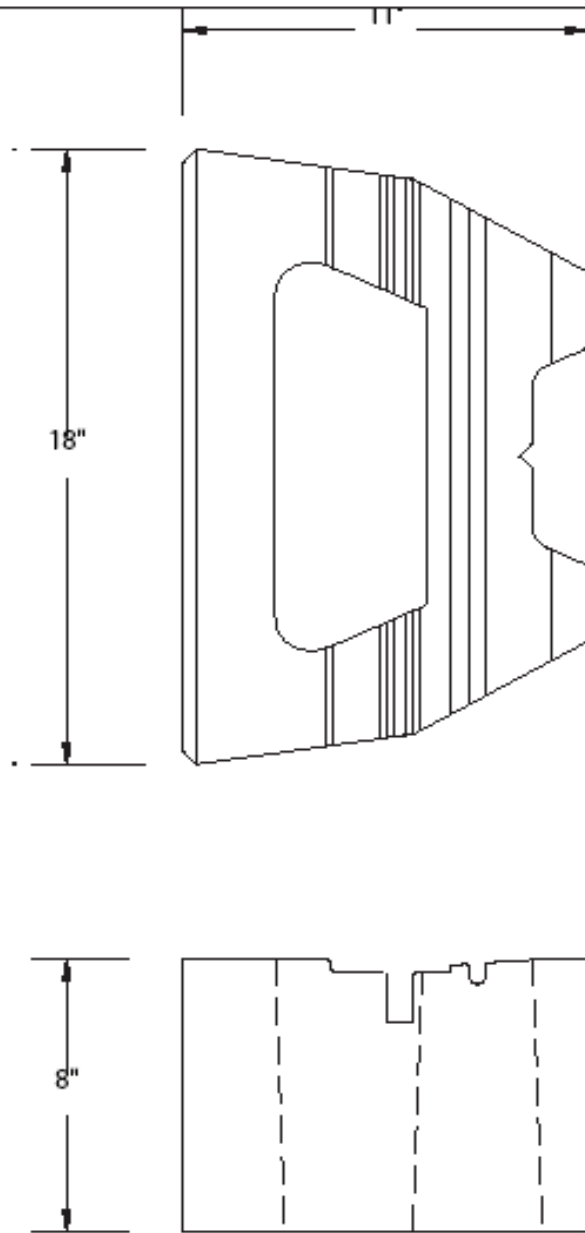


DESCRIPTION: DRAIN PIPE OUTLET DETAIL
 FILE NAME: ME-ST-FD-009.DWG



TETTER
 BATH TECHNOLOGIES, INC.

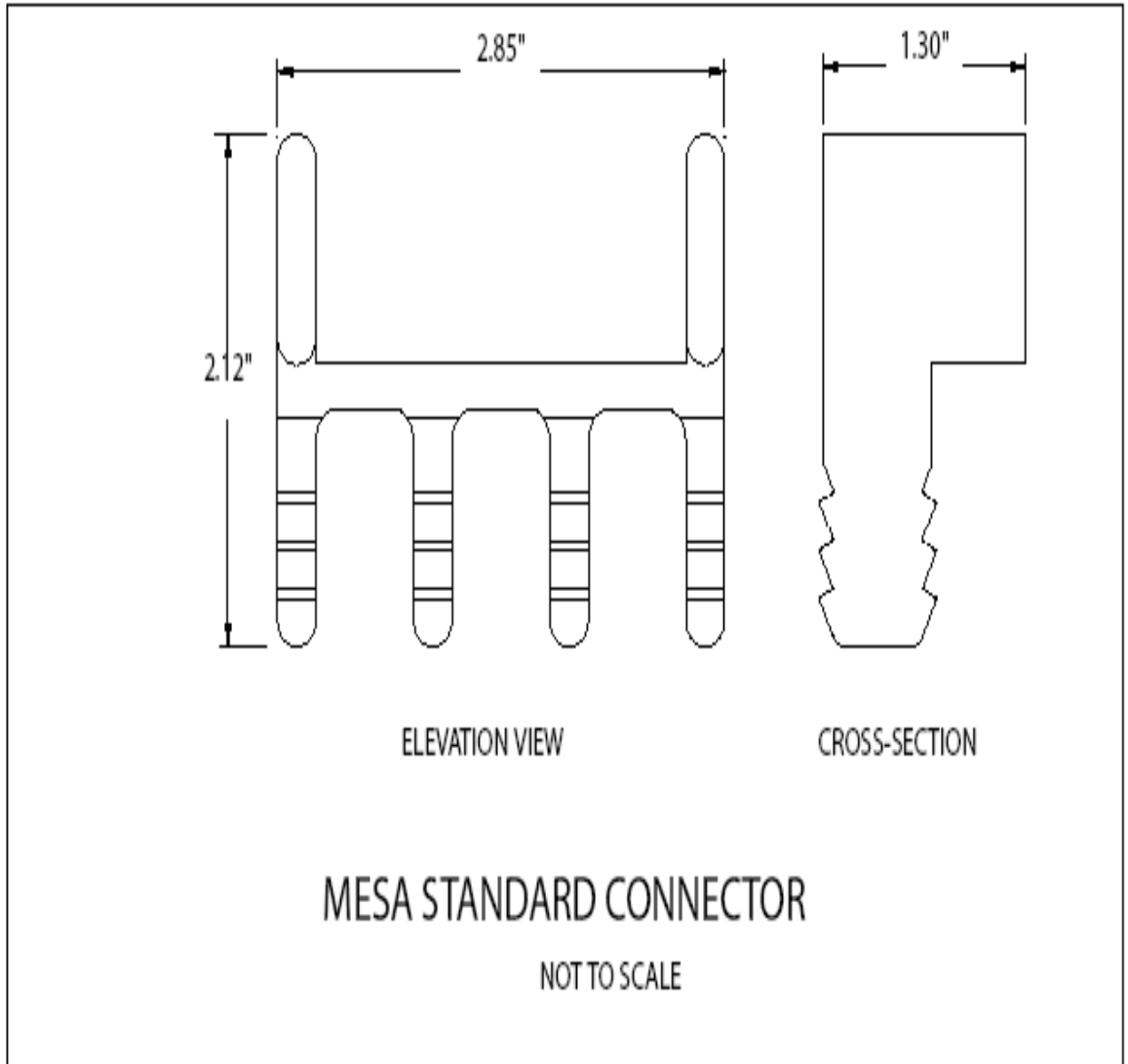
TYPICAL DETAIL



MESA STANDARD UNIT
NOT TO SCALE

DESCRIPTION: MESA STANDARD UNIT
FILE NAME: ME-ST-FC-001.DWG

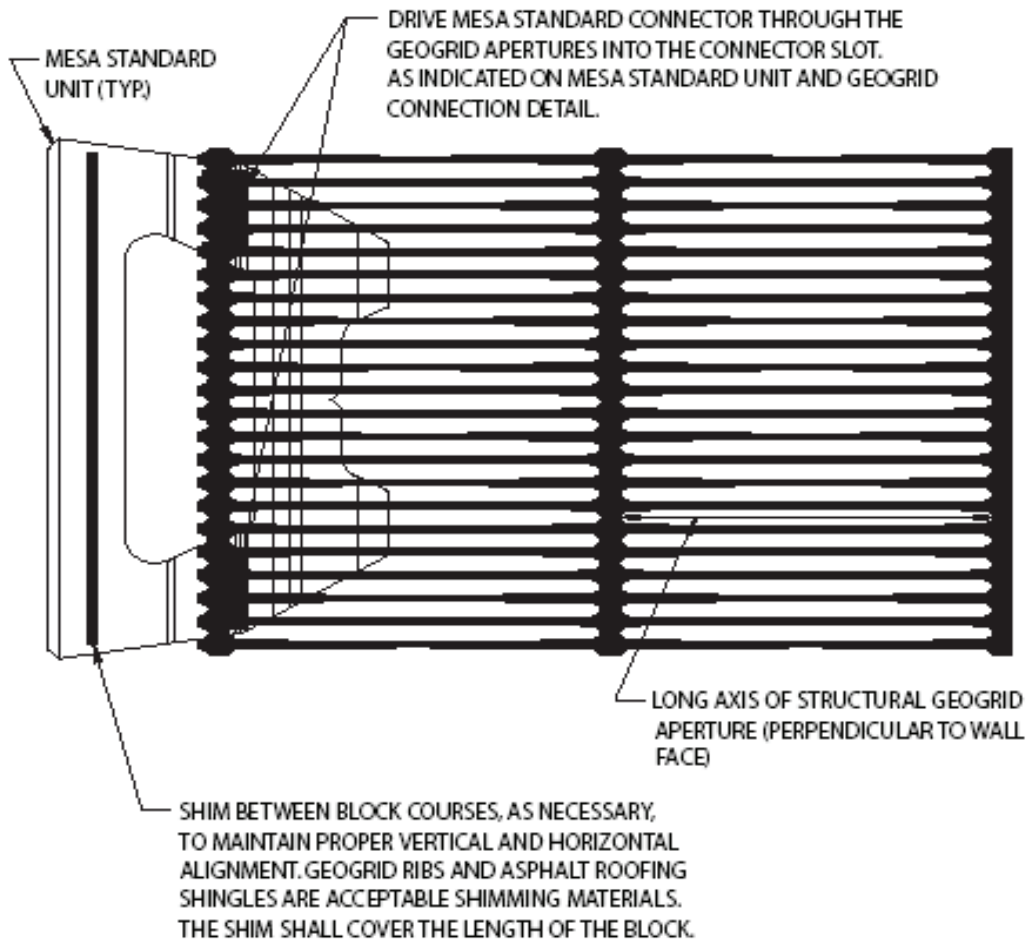




MESA
 RETAINING WALL SYSTEMS

DESCRIPTION:
 FILENAME:

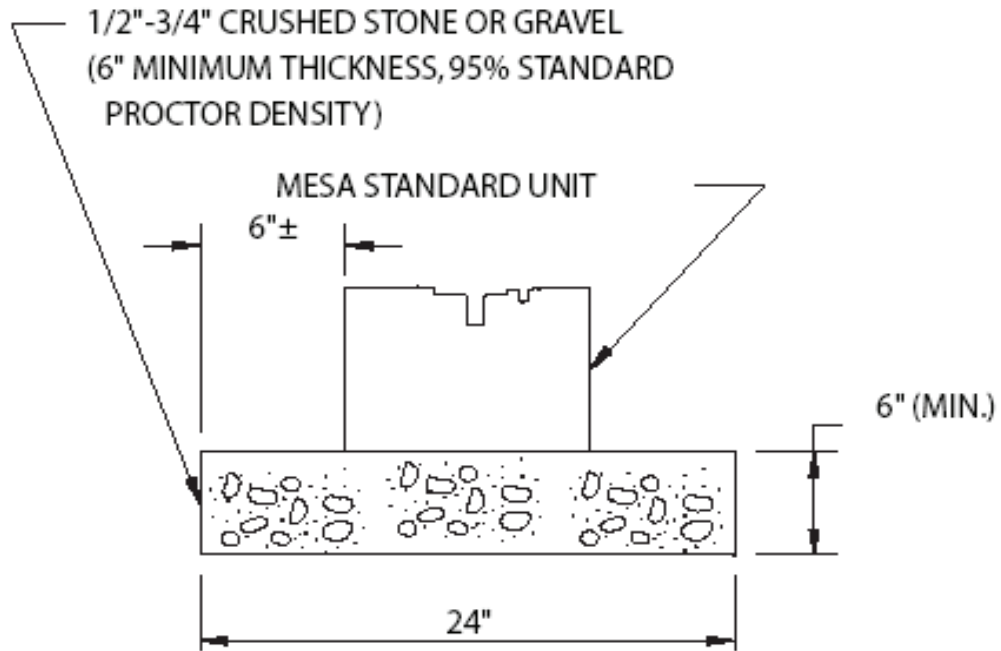
MESA STANDARD CONNECTOR
 ME-ST-FC-003.DWG



GEOGRID ORIENTATION
 NOT TO SCALE

DESCRIPTION:	GEOGRID ORIENTATION
FILE NAME:	ME-ST-FD-603.DWG

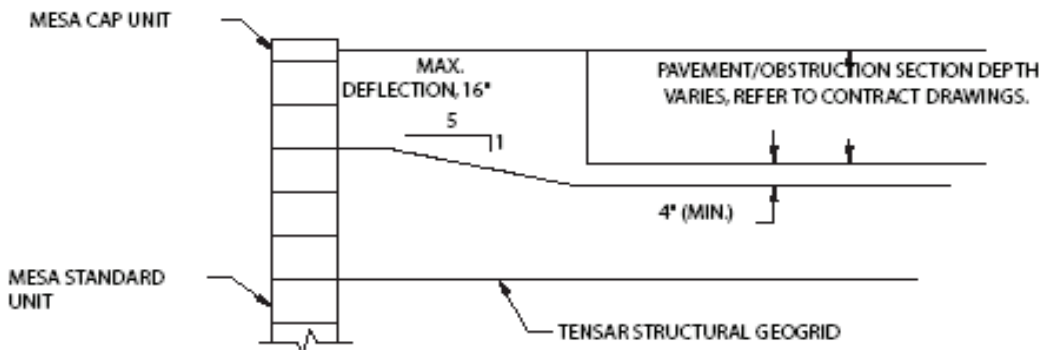




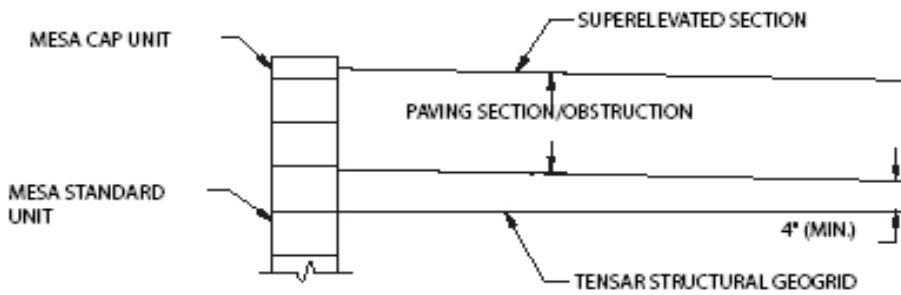
GRAVEL LEVELING PAD DETAIL
 NOT TO SCALE

DESCRIPTION: GRANULAR LEVELING PAD DETAIL
 FILE NAME: ME-ST-LP-002.DWG





HORIZONTAL PAVEMENT STRUCTURE



SUPERELEVATED PAVEMENT/OBSTRUCTION STRUCTURE

NOTE:

CONTRACTOR IS RESPONSIBLE TO COORDINATE THE PLACEMENT OF THE GEOGRID TO AVOID CONFLICT WITH THE CONTRACT PAVEMENT/OBSTRUCTION SECTION. GEOGRID MUST BE SEPARATED FROM THE PAVEMENT/OBSTRUCTION SECTION BY A MINIMUM OF 4".

GEOGRID PLACEMENT AT PAVEMENT/OBSTRUCTION SECTION

NOT TO SCALE

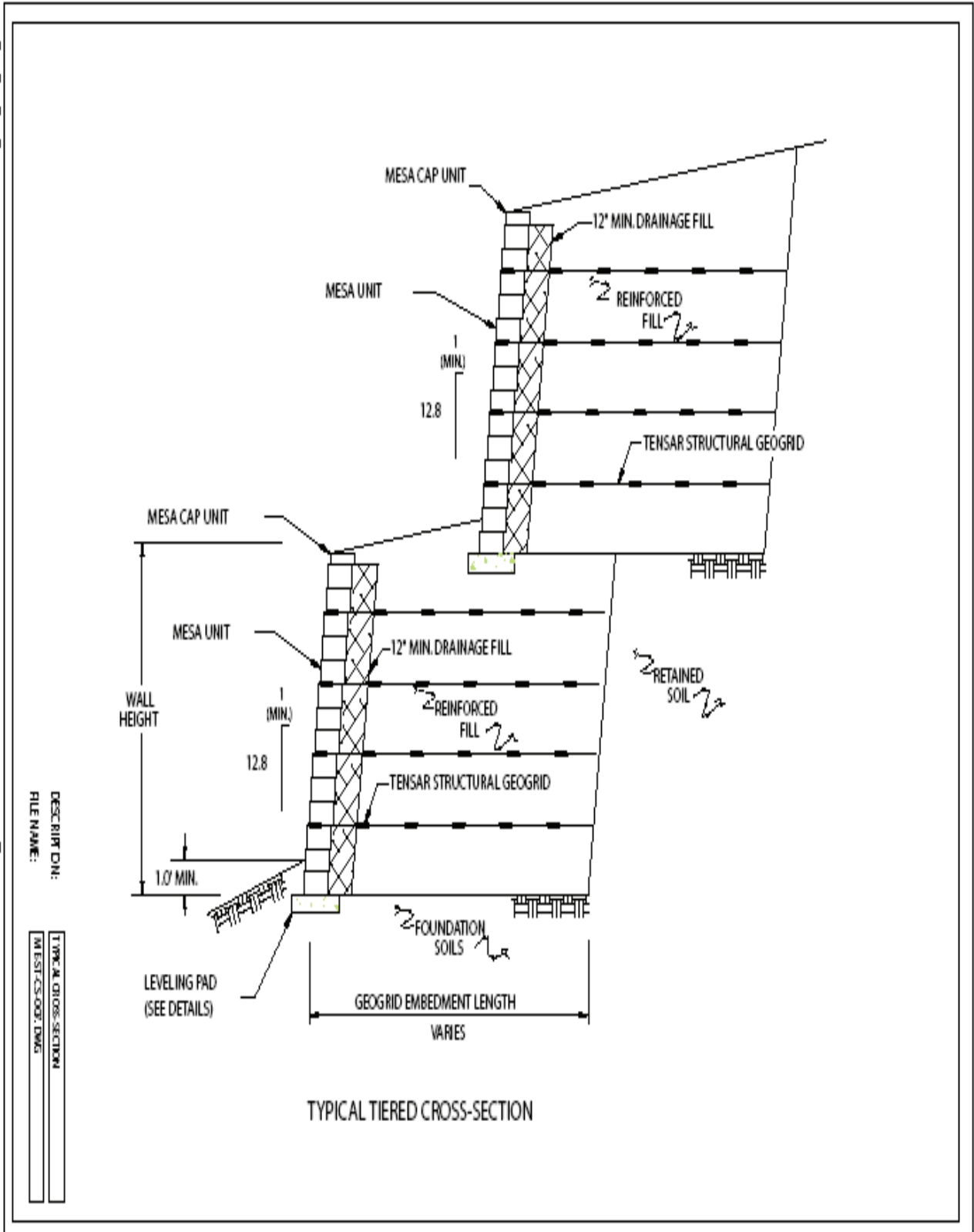
DESCRIPTION:

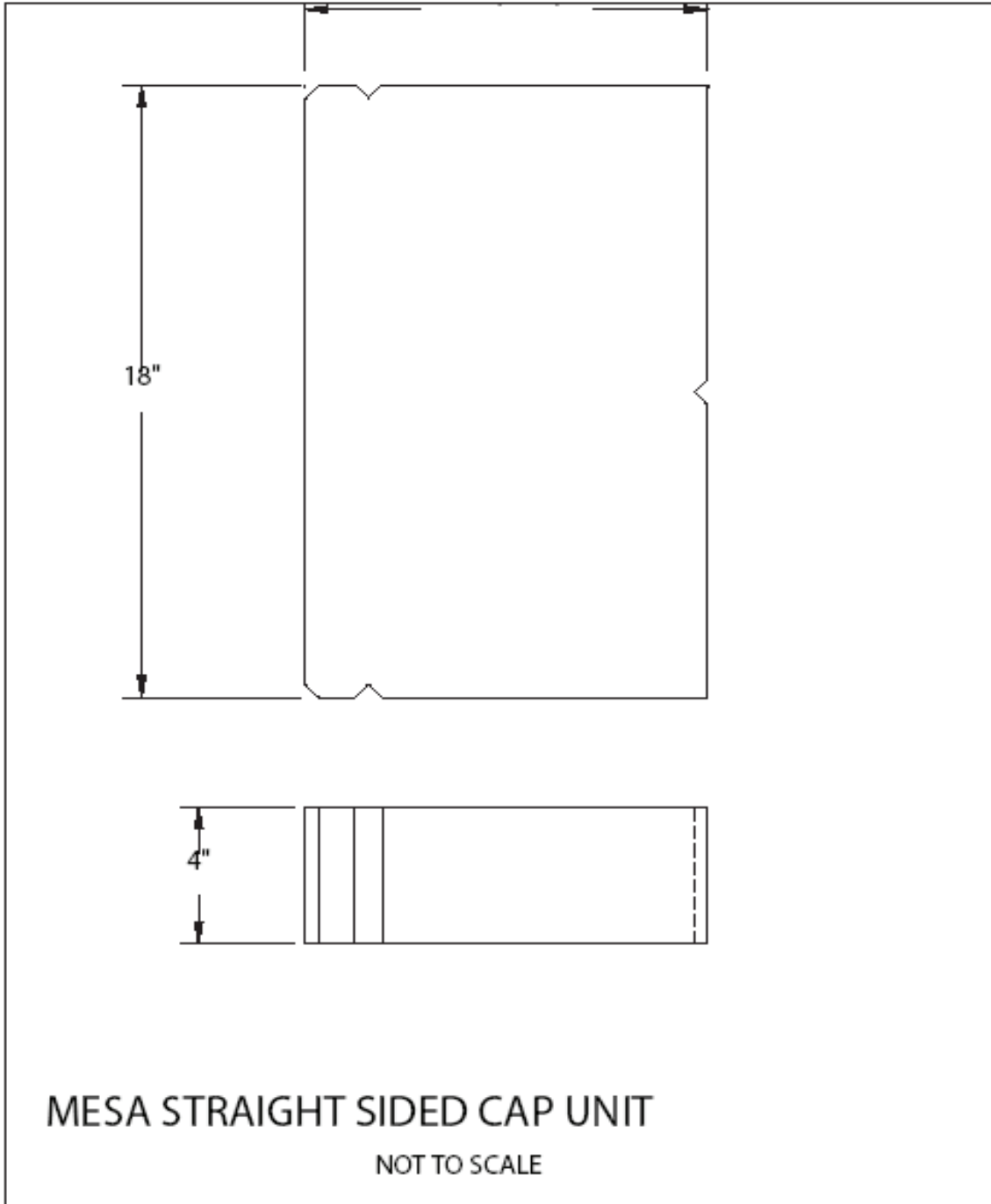
GEOGRID PLACEMENT AT PAVEMENT/OBSTRUCTION SECTION

FILE NAME

ME-ST-OB-001.DWG

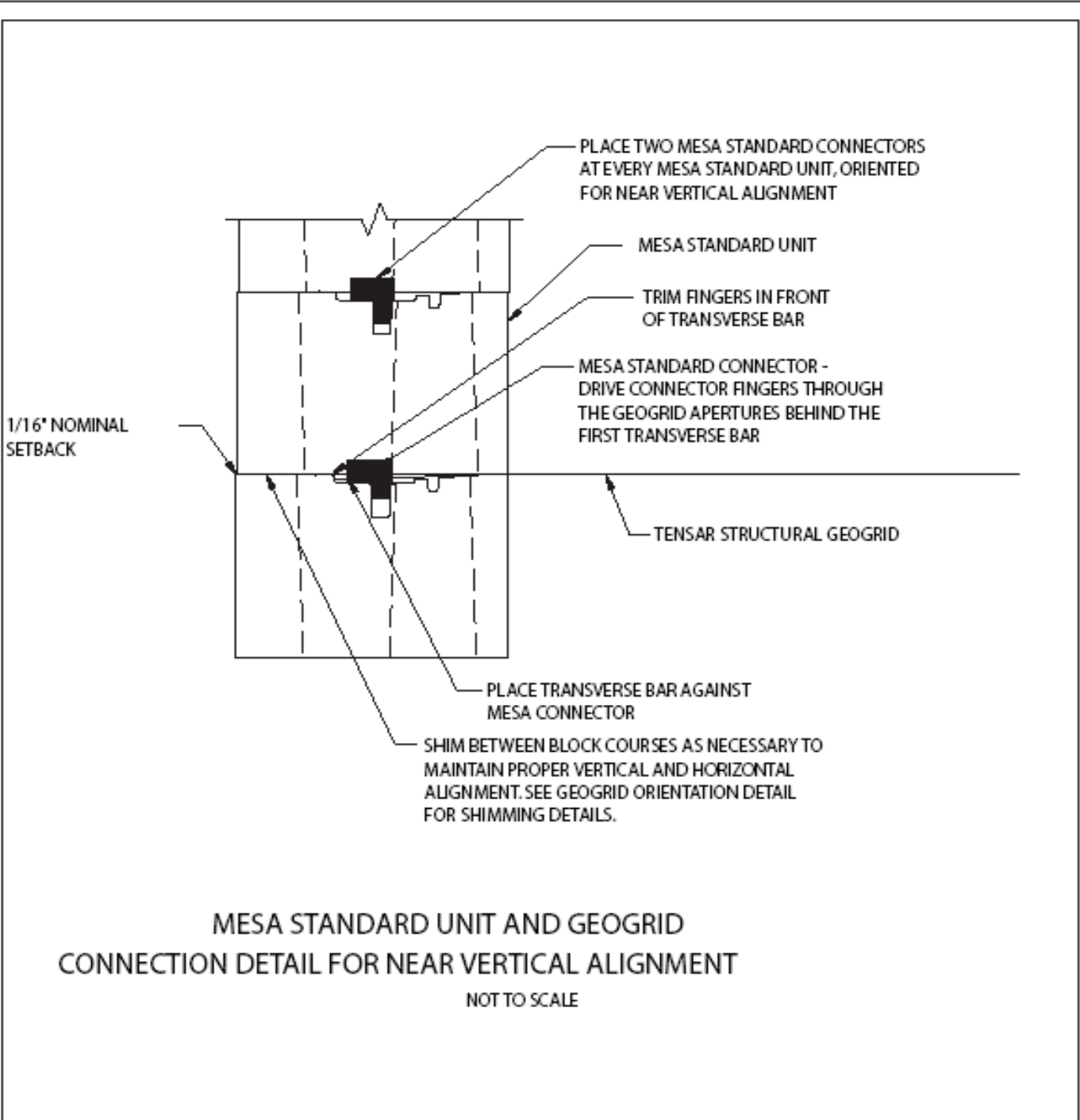






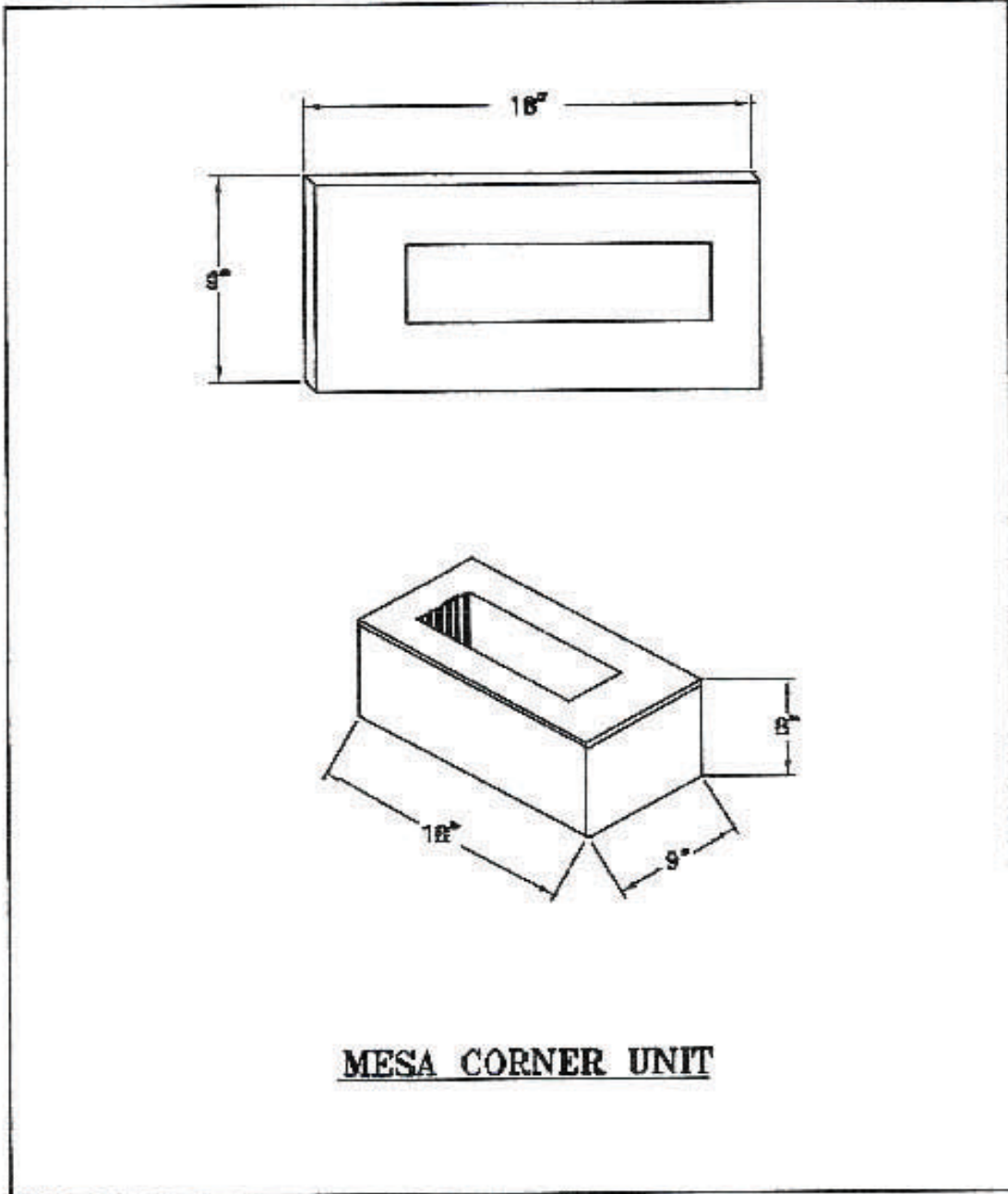
DESCRIPTION: MESA CAP UNIT
FILE NAME: ME-ST-FC-002.DWG





DESCRIPTION:	MESA STANDARD UNIT AND GEOGRID CONNECTION DETAIL
FILE NAME:	ME-ST-FD-001.DWG



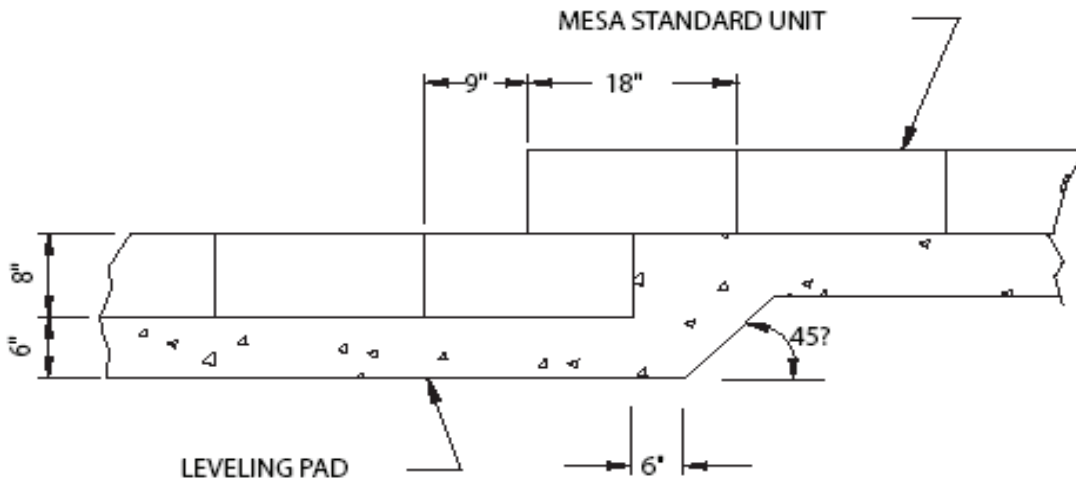


MESA CORNER UNIT



TOWER
EARTH TECHNOLOGIES, INC.

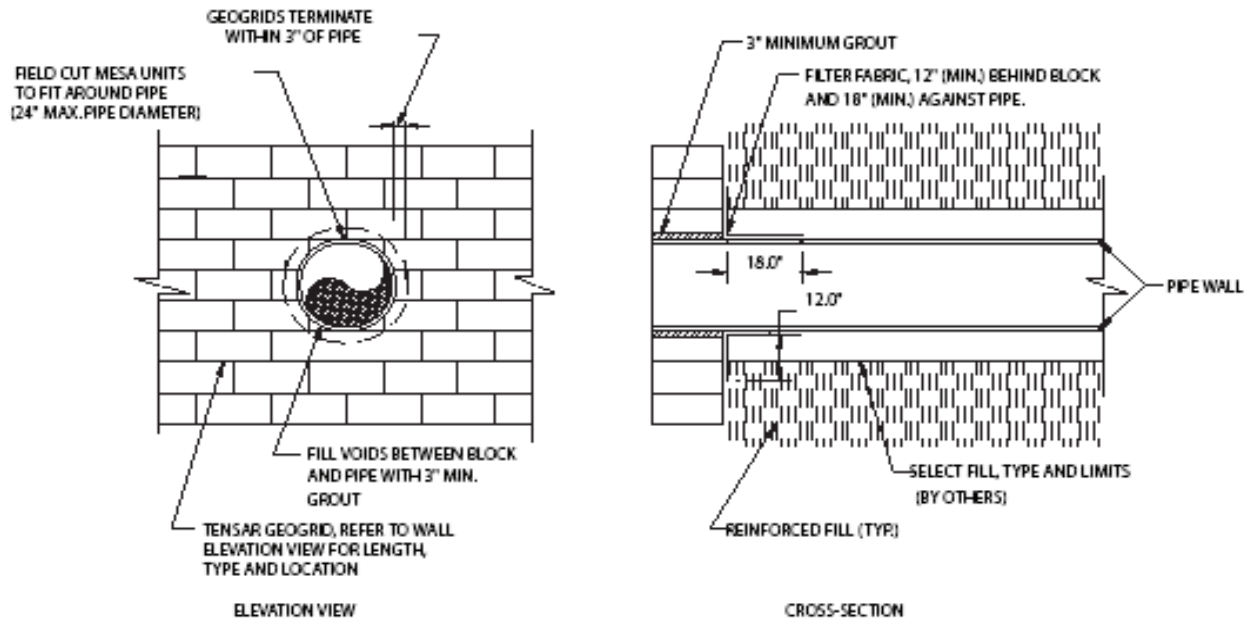
TYPICAL DETAIL



LEVELING PAD STEP DETAIL
 NOT TO SCALE

DESCRIPTION: LEVELING PAD STEP DETAIL
 FILE NAME: ME-ST-LP-003.DWG





PIPE PENETRATION DETAIL
 NOT TO SCALE

DESCRIPTION:	PIPE PENETRATION DETAIL
FILE NAME:	ME-ST-08-002.DWG

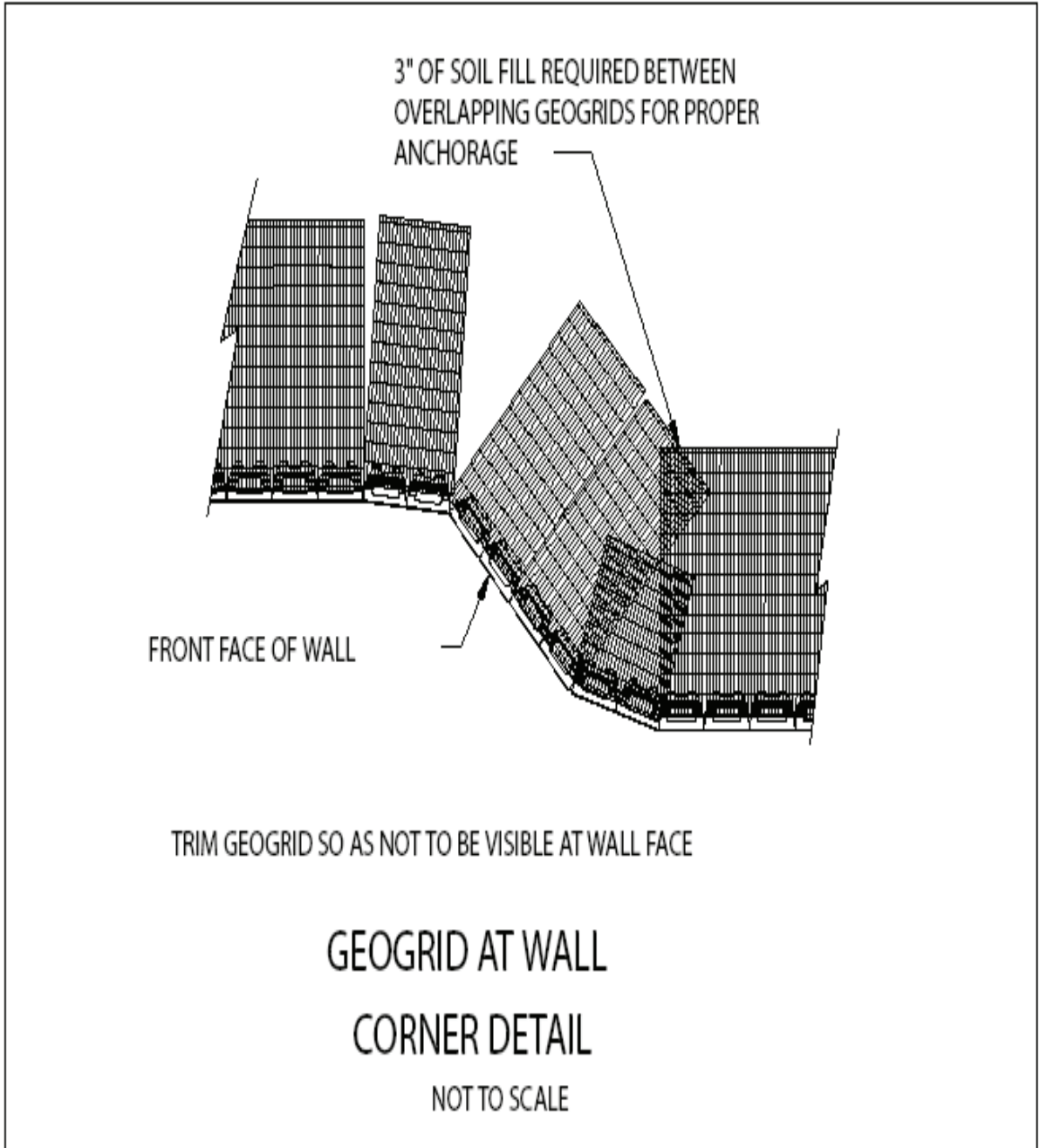


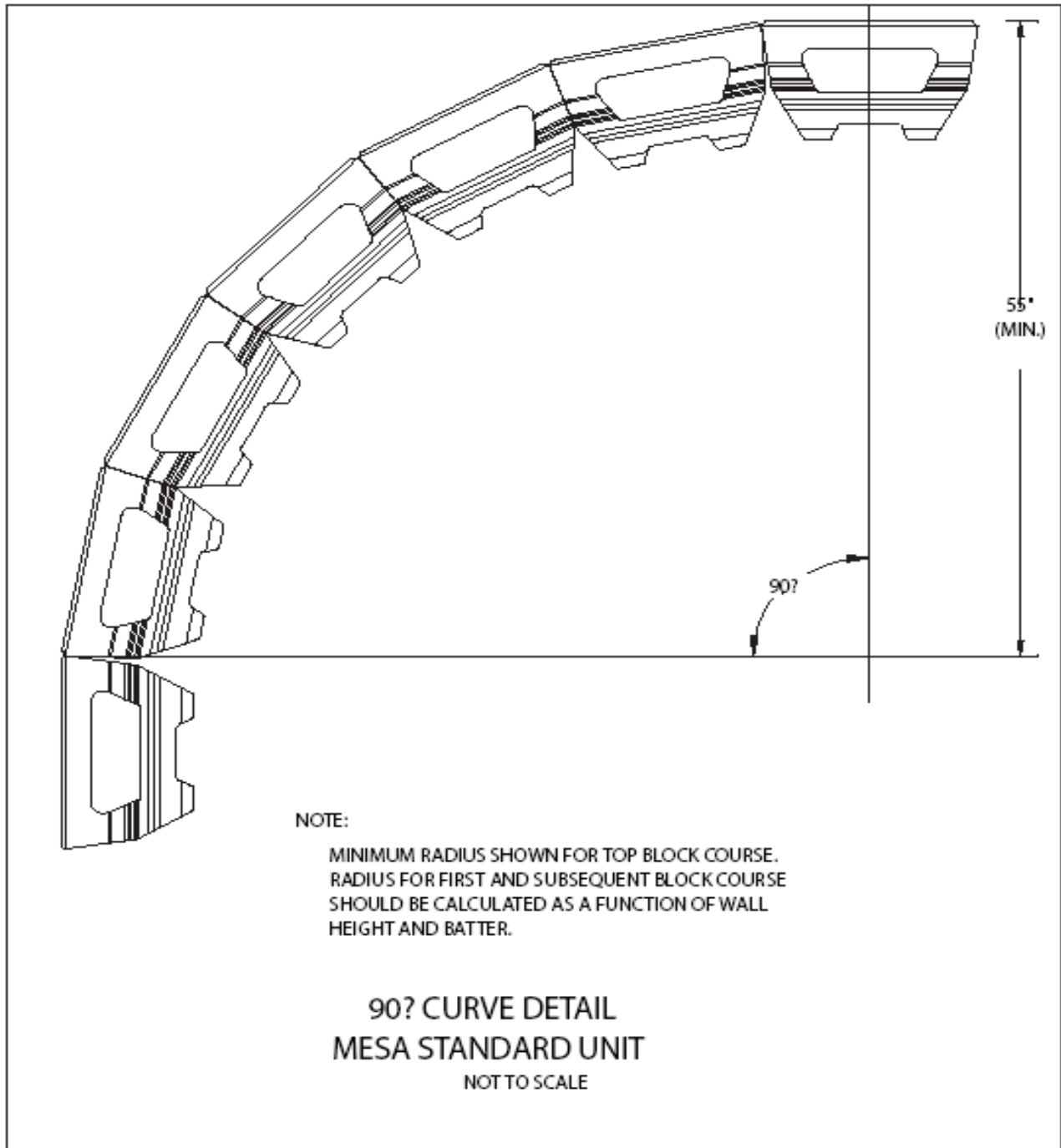


MESA
RETAINING WALL SYSTEMS

DESCRIPTION:
FILE NAME:

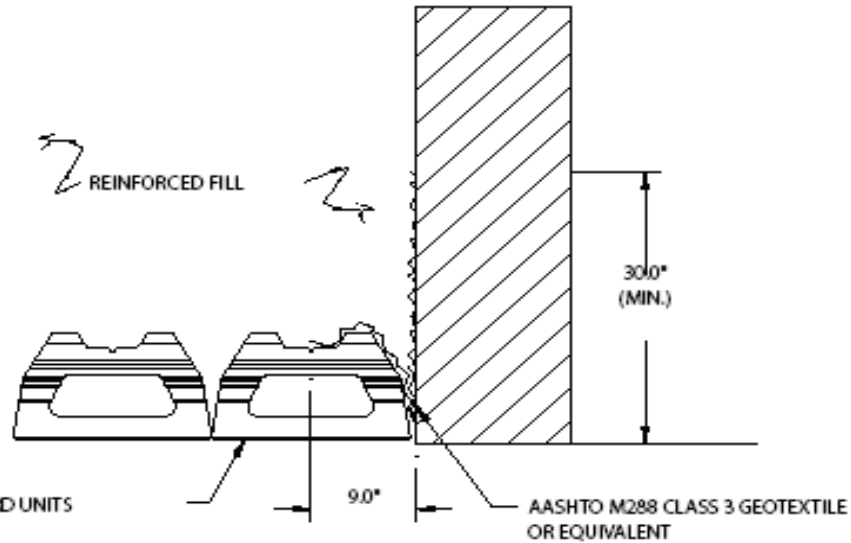
GEOGRID AT WALL CORNER DETAIL
M1E01 - HDG08.DWG





DESCRIPTION	90° CURVE DETAIL
FILE NAME	ME-ST-FD-011.DWG





FIELD CUT MESA STANDARD UNITS
 MINIMUM SIZE - 1/4 UNIT

AASHTO M288 CLASS 3 GEOTEXTILE
 OR EQUIVALENT

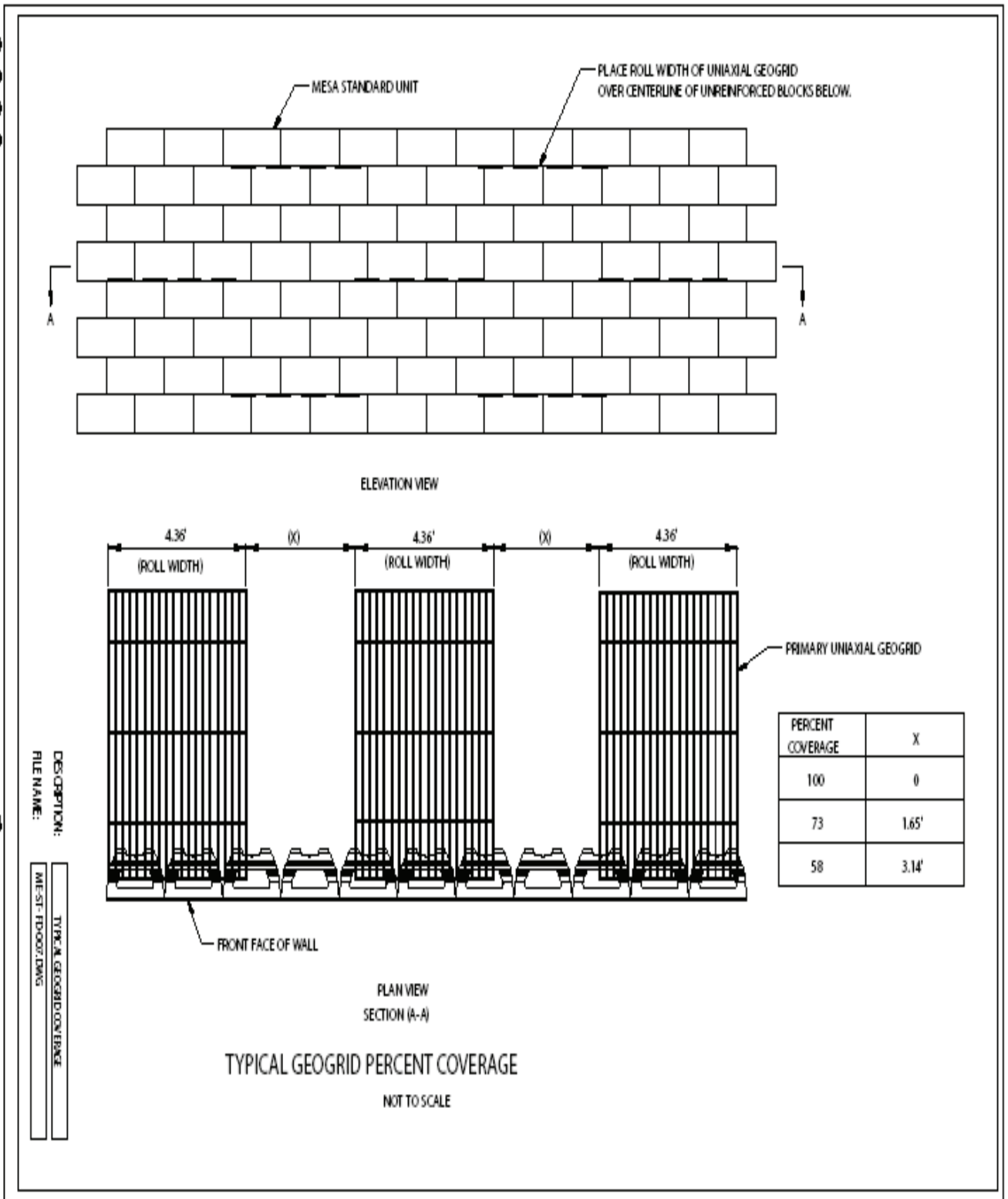
NOTES:

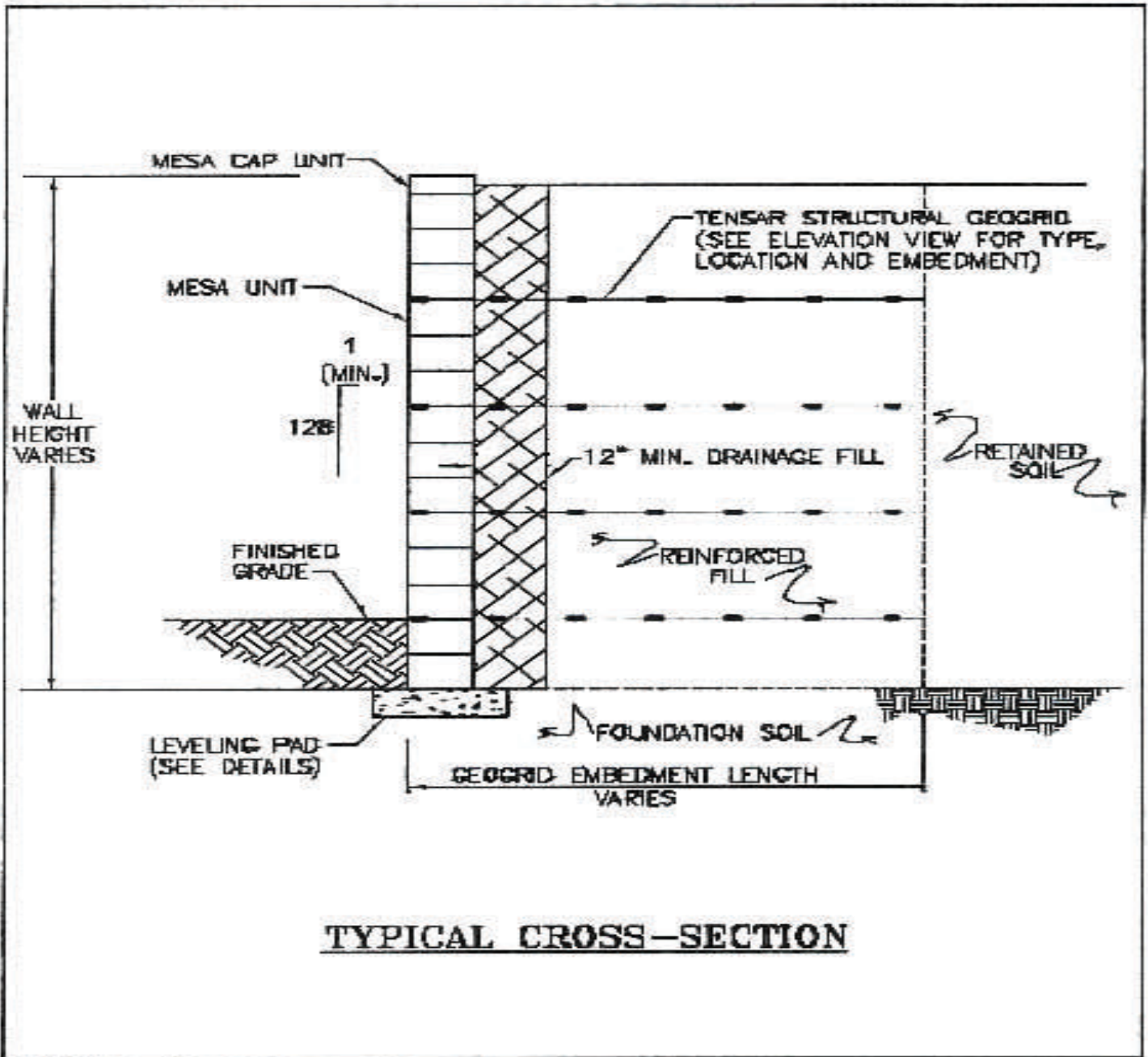
1. GEOGRID AND CONNECTORS NOT SHOWN FOR CLARITY.
2. FIELD CUT MESA STANDARD UNIT (MIN. 1/4 UNIT) FOR RUNNING BOND.
3. REFER TO TYPICAL CROSS-SECTION FOR FILL AND DRAINAGE REQUIREMENT AT BACK OF WALL.

MESA WALL TRANSITION AT STRUCTURE
 NOT TO SCALE

DESCRIPTION:	MESA WALL TRANSITION AT STRUCTURE
FILE NAME:	ME-ST-FD-013.DWG





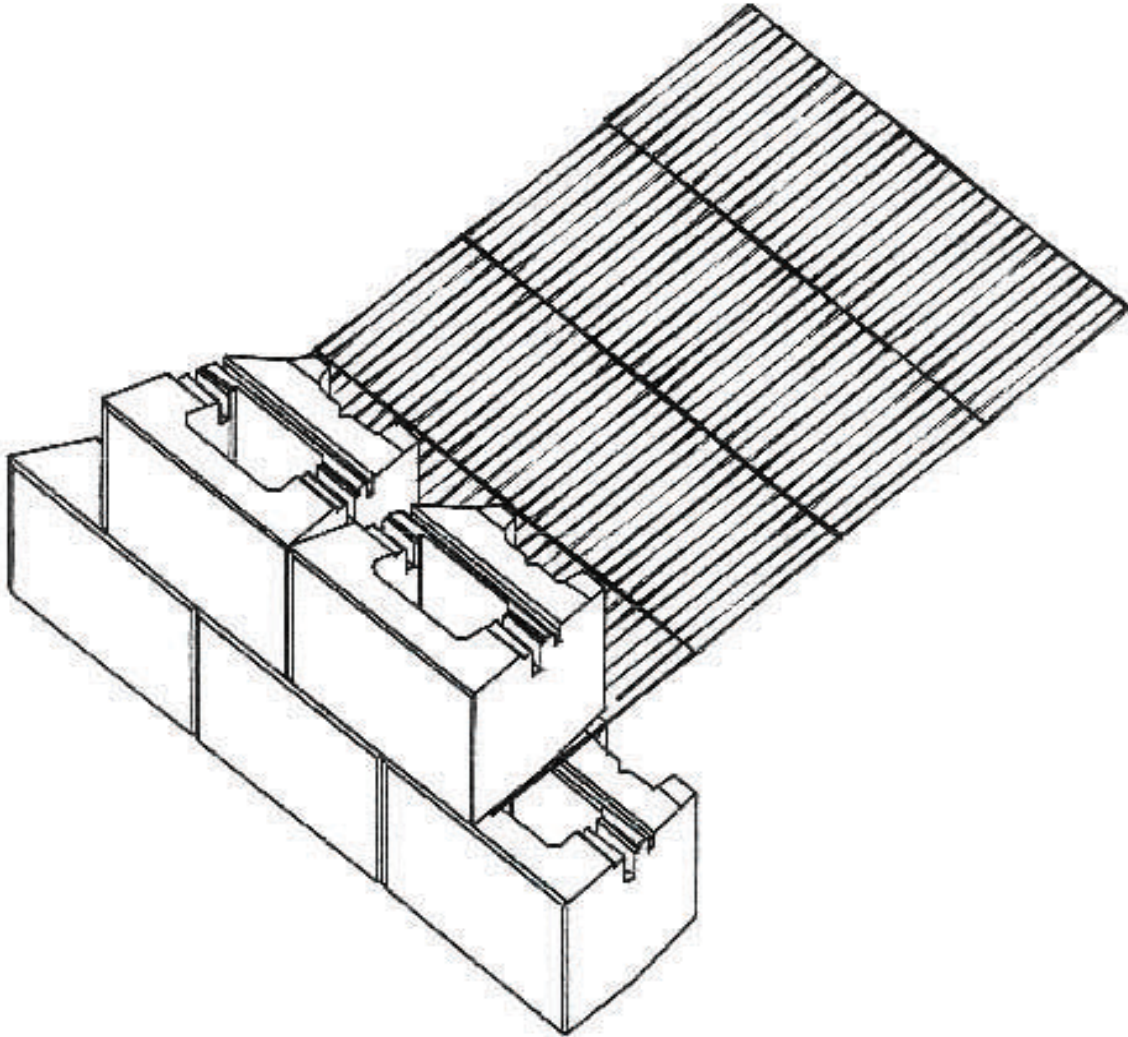


TYPICAL CROSS-SECTION

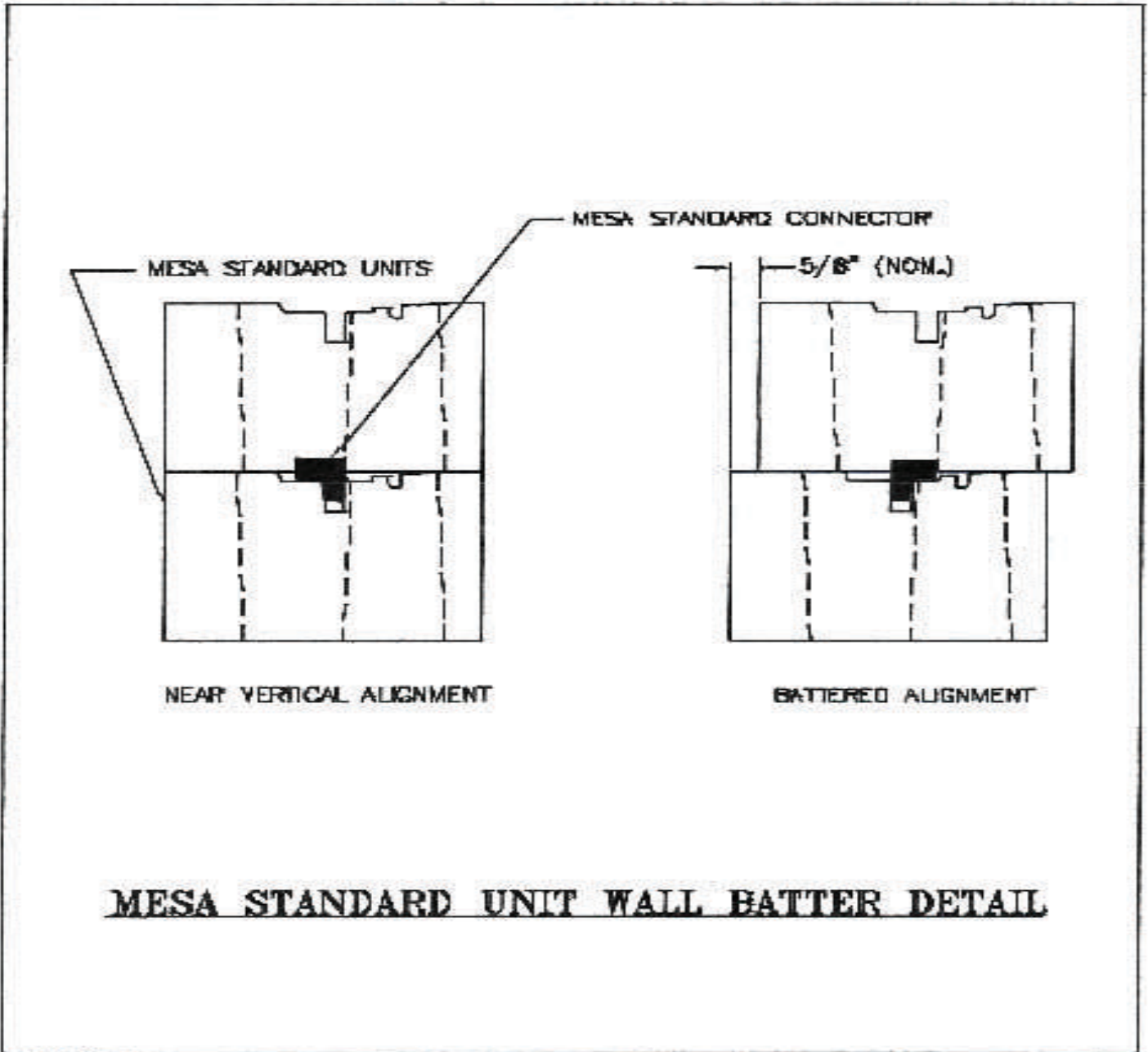


Tensar
 GEOTECHNICAL
 EARTH TECHNOLOGIES, INC.

TYPICAL DETAIL

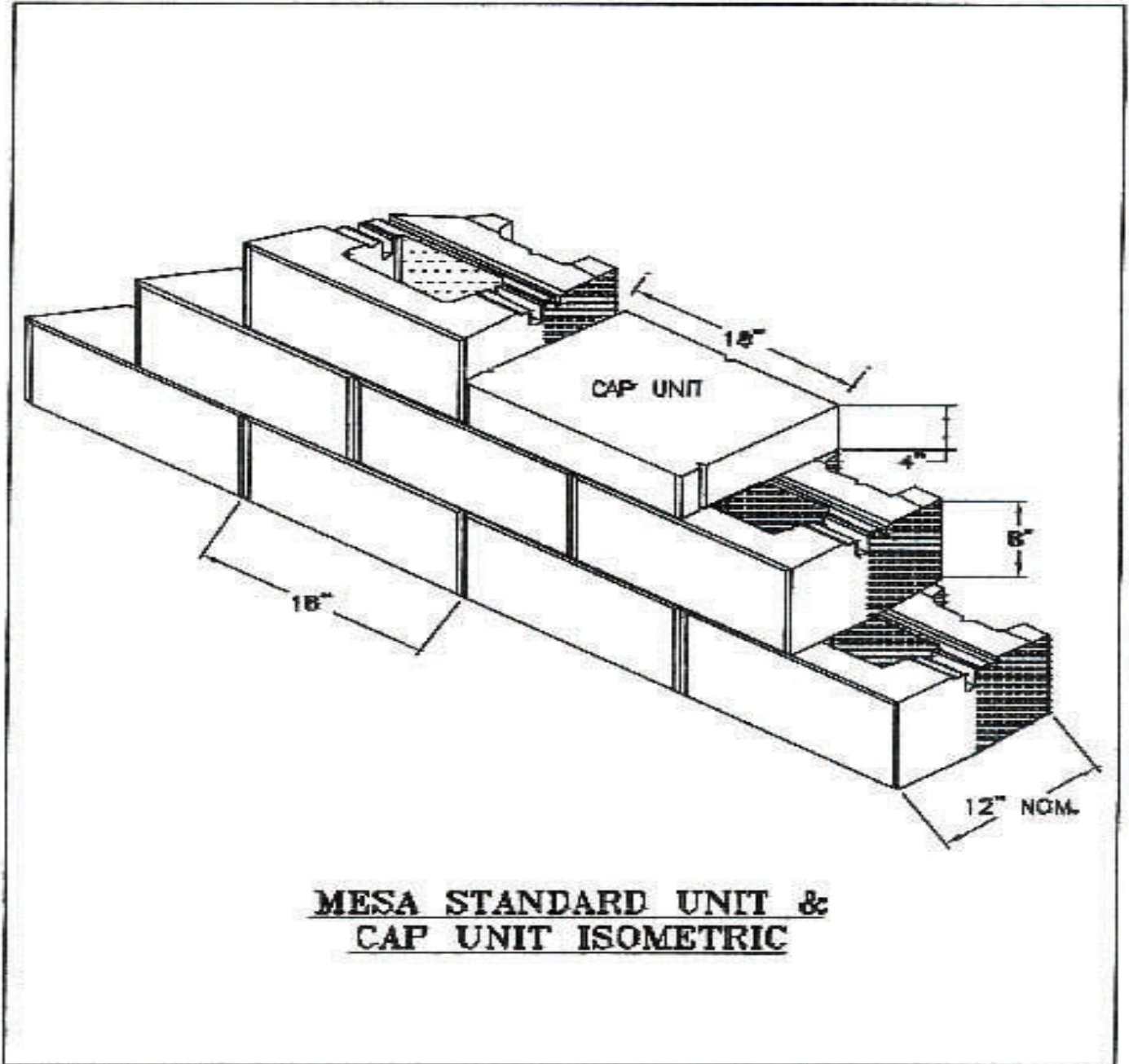


MESA STANDARD UNIT AND
GEOGRID ORIENTATION ISOMETRIC



TETRAHEX
EARTH TECHNOLOGIES, INC.

TYPICAL DETAIL



**MESA STANDARD UNIT &
CAP UNIT ISOMETRIC**

 **TERRACONCRETE
EARTH TECHNOLOGIES, INC.**

TYPICAL DETAIL

PALUMBO
BLOCK CO., INC.
CONCRETE BLOCK AND MASON SUPPLIES

800-724-8460

info@palumbo.biz

www.palumbo.biz