

PALUMBO

BLOCK CO., INC.
CONCRETE BLOCK AND MASON SUPPLIES

800-724-8460

info@palumbo.biz

www.palumbo.biz

assembly instructions



PITTSBURGH CORNING
ProVantage™ Glass Block Installation System



All trademarks and registered trademarks in this brochure are owned and protected by Pittsburgh Corning Corporation, Pittsburgh, PA 15239

© 2006 Pittsburgh Corning Corporation
Printed in U.S.A.

GB-291 100M Rev. 1/06

PALUMBO
BLOCK CO., INC.
CONCRETE BLOCK AND MASON SUPPLIES

Se incluyen
las instrucciones
en español

ProVantage™ Glass Block Installation System

Pittsburgh Corning ProVantage™ Glass Block Installation System Assembly Instructions

Introduction:

The ProVantage™ Glass Block Installation System is the easiest way to install Pittsburgh Corning Premiere Series (4" thick) Glass Block, and get professional results. There are two methods of installation - ProVantage™ I and ProVantage™ II. Here is additional information about each method.

ProVantage™ I: (page 3)

- This method is used to install straight walls in 4-sided openings.
- In this method, glass block panels are installed in perimeter channel.
- The maximum opening size for exterior panels is 50 square feet.
- The maximum opening size for interior panels is 85 square feet.
- The joints of these panels can be finished with ProVantage™ Glass Block Surface Grout or Pittsburgh Corning Glass Block Sealant. Sealant finishing is not recommended for wet environments.

ProVantage™ II: (page 12)

- This method is used to install straight, curved or angled walls in 2, 3 or 4 sided openings.
- In this method, glass block panels are secured to the wall using special wall anchors.
- The maximum opening size for 4 sided exterior panels is 50 sq. ft.
- The maximum opening size for interior panels framed on at least 3 sides is 85 sq. ft.
- Interior panels framed on 2 sides can be a maximum of 60 sq. ft.
- The joints of these panels can be finished with ProVantage™ Glass Block Surface Grout or Pittsburgh Corning Glass Block Sealant. Sealant finish can only be used on straight walls in 4-sided openings, and is not recommended for wet environments.

Before you begin installing your glass blocks, decide which installation method and joint finish option is right for your project.

The materials required for ProVantage™ glass block installation are:

1. Pittsburgh Corning Premiere Series (4" thick) Glass Block
2. Perimeter Channel (ProVantage™ I installation only)
3. ProVantage™ Glass Block Installation System:
 - Horizontal Spacers
 - Vertical Spacers
 - Anchors (packaged with fasteners and shims – ProVantage™ II installation system only)
 - Shaped Spacers (ARQUE®, HEDRON®, TRIDRON® as needed)
 - Pittsburgh Corning Glass Block Sealant
 - ProVantage™ Glass Block Surface Grout (grout finish only)
4. Grout Sealer (grout finish only)
5. #6 x 1" Flat Head Galvanized Screws (ProVantage™ I installation only)
6. White Touch-up Paint (ProVantage™ I installation only)

The tools required for the ProVantage™ glass block installation system are a miter saw or miter box, metal snips, hand saw, utility knife, screw gun, screwdriver, 4' level, small level, tape measure, caulk gun, rubber mallet, rubber gloves, spoon shaped finishing tool.

For Grout Finishing you will also need a rubber float, bucket, tile/grout sponge, cheesecloth, small paint brush.

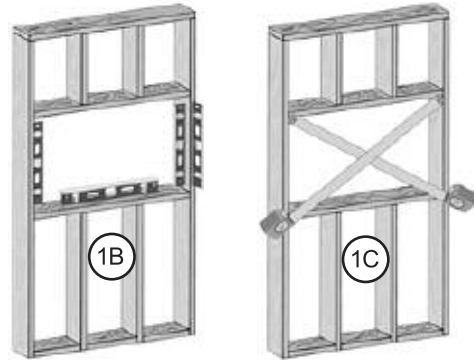
ProVantage™ I

1. Prepare The Opening Or Curb

A. Make sure the opening is the correct size. Use the table below to find the correct dimensions for a straight wall with two jambs using channels.



B. Use a level to make sure the opening is level and plumb.



C. Measure the opening diagonally from corner to corner in both directions, and compare the dimensions to check for squareness. These dimensions should be equal within 1/8".

Note: If there are any problems with the opening or curb, adjust it before proceeding.

ProVantage™ I Perimeter Channel Construction Using 8" High Glass Block			
Number of Blocks	Rough Opening Width and Height (Inches)		
	4"	6"	8"
1	4-1/4	6-1/4	8-1/4
2	8-1/8	12-1/8	16-1/8
3	12	18	24
4	15-7/8	23-7/8	31-7/8
5	19-3/4	29-3/4	39-3/4
6	23-5/8	35-5/8	47-5/8
7	27-1/2	41-1/2	55-1/2
8	31-3/8	47-3/8	63-3/8
9	35-1/4	53-1/4	71-1/4
10	39-1/8	59-1/8	79-1/8
11	43	65	87
12	46-7/8	70-7/8	94-7/8

Note: Blocks are available in 4" x 8", 6" x 8", and 8" x 8" sizes
For larger panels
add 3-7/8" for each additional 4" wide block...
add 5-7/8" for each additional 6" wide block...
add 7-7/8" for each additional 8" block.

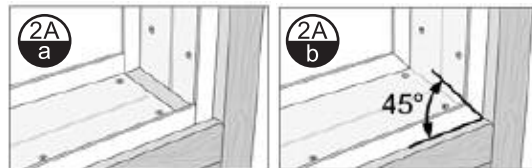
2. Install Perimeter Channel

A. Cut the channel to fit the perimeter of the opening. The channel ends may be cut straight or mitered.

a. If cutting the ends straight:

- Cut the side channels to the height of the opening.
- Cut the top and bottom channels the width of the opening minus 1-1/2" so they will fit between the side channels.

b. If mitering the ends, make all cuts at a 45° angle.

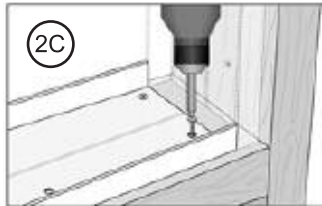


- B. Cut the top channel in half lengthwise with a utility knife. Score the center groove with the knife and break the channel in half.

Note: Cutting the top channel in half will allow the top row of blocks to be installed.

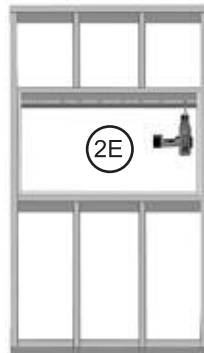
- C. Install the bottom channel:
- The channel may be installed in the center of the opening, or flush with the interior or exterior side of the opening.
 - Attach the channel to the opening by inserting #6 x 1" flat head galvanized screws through the predrilled holes in the channel. Insert two screws in each end of the channel.

Note: If the predrilled holes at the ends were trimmed off when cutting the channel to length, drill new ones at the ends of the cut piece.



- D. Install the side channels in the same manner making sure they are plumb before attaching with screws.

- E. Install the top channel:
- Place the half channel in the top of the opening making sure it is aligned with the side channels.
 - Attach the channel to the opening by inserting #6 x 1" flat head galvanized screws through the predrilled holes in the channel. Insert a screw at each end of the channel.



Note: If the predrilled hole at the end was trimmed off when cutting the channel to length, drill a new one at the end of the cut piece.

- F. Paint all of the screw heads white to reduce their visibility.

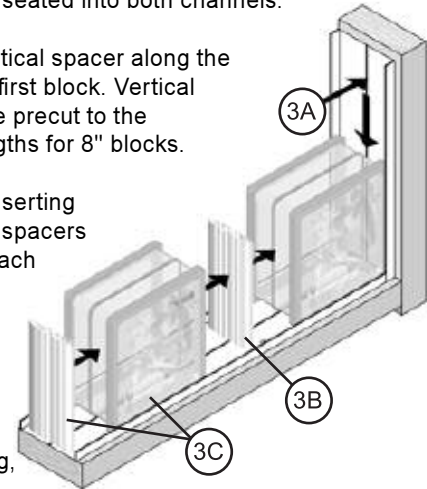
3. Test Fit The First Row

- A. Place a glass block in the side channel and slide it into the bottom channel. Make sure the block is completely seated into both channels.

- B. Place a vertical spacer along the side of the first block. Vertical spacers are precut to the correct lengths for 8" blocks.

- C. Continue inserting blocks and spacers until you reach the last opening in the row.

- D. When you reach the last opening, insert the last block into the side channel and slide it into the bottom channel. Install the last vertical spacer.



- E. Check to make sure all the vertical spacers are straight and the glass blocks are aligned with each other.

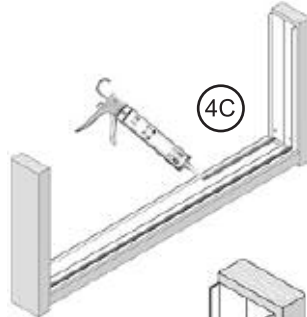
- F. Remove the first row.

4. Install The First Row

- A. Open the sealant as instructed on the tube. Cut the nozzle at a 45° angle at the 1/4" mark.

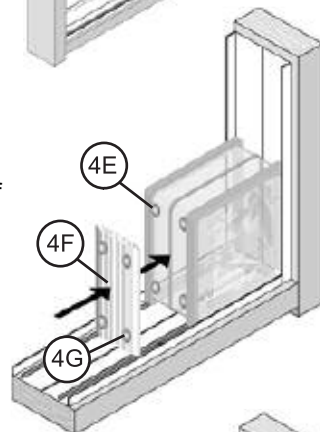
- B. One tube of sealant will install 7 blocks. Sealant will skin over in 15-17 minutes. Do not apply sealant to more blocks than can be installed in 10 minutes.

- C. In the bottom channel apply two beads of sealant the full length of the channel a 1/4" in from each side.



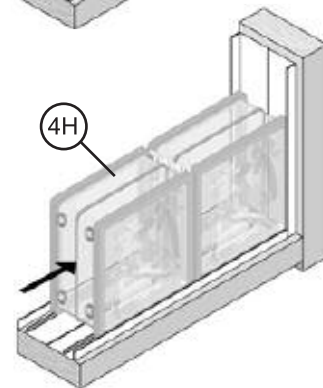
- D. Place a glass block in the side channel and slide it into the bottom channel.

- E. Apply four 1/2" diameter dabs of sealant to the side of a block behind the raised edge, 1/2" in from each corner.



- F. Press a vertical spacer into place next to the block.

- G. Apply four 1/2" diameter dabs of sealant to the vertical spacer, 1/2" in from each corner.

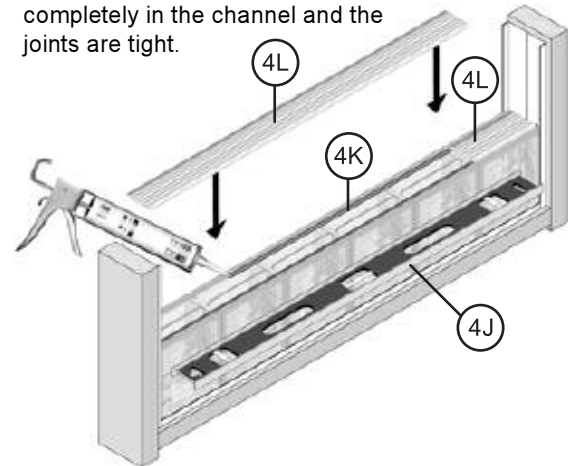


- H. Insert the next block tight against the vertical spacer.

- I. Continue inserting spacers and blocks in this manner to complete the row, but do not apply sealant to the side of the last installed spacer. Insert the last block in the side channel and slide it into the bottom channel.

7

- J. Check the first row for alignment of spacers and blocks. Make sure all the blocks are sitting completely in the channel and the joints are tight.



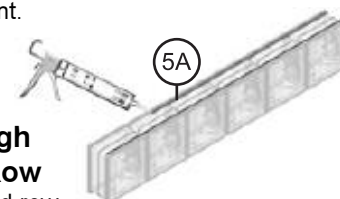
- K. Apply two 1/4" beads of sealant to the top of the row of blocks just behind the raised edges.

- L. Place a horizontal spacer on top of the first row of blocks. If more than one section of horizontal spacer is required, be sure to lay them end to end with the joint directly above a vertical spacer. Stagger these joints on each following row.

- M. Remove any excess sealant. If necessary, adjust the size of the sealant beads to prevent squeeze out on the following rows. The joint areas must be kept clean of sealant.

5 Install The Second Through Next To Last Row

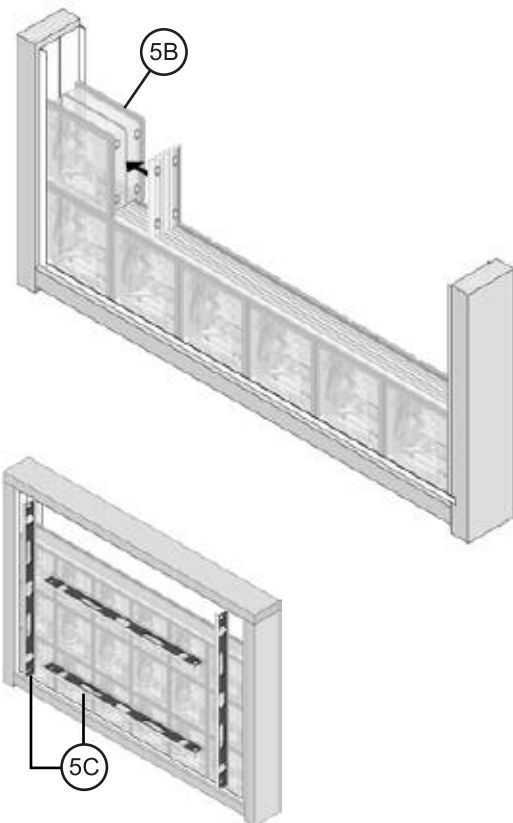
- A. Line up your second row of glass blocks next to your opening. Apply two 1/4" beads of sealant to the top of the blocks, just behind the raised edges. Always apply sealant to the block, not the horizontal spacer. These blocks will be turned over when installed so the sealant will contact the horizontal spacer.



8

B. Install the second row:

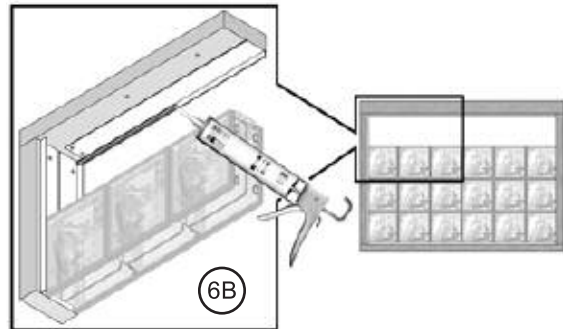
- Start the row from the opposite end. For example, if you installed the first row from left to right, install the second from right to left.
- Install the blocks sealant side down.
- Install vertical spacers with sealant as illustrated in the first row, except for the last installed vertical spacer.



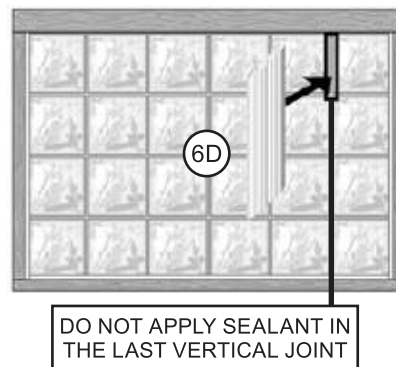
- C. Install the remaining rows in this manner until you reach the last row. Check each row for alignment vertically and horizontally.**

6. Install The Last Row

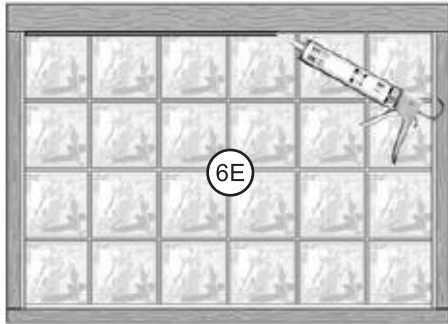
- A. Line up your last row of glass blocks next to your opening. Apply two 1/4" beads of sealant to the top of the blocks, just behind the raised edges.**
- B. Apply a 1/4" bead of sealant horizontally along the top inside leg of the half channel at the top of the opening, where the faces of the blocks will contact the channel.**



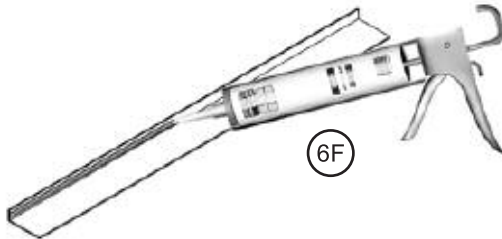
- C. Slide one block with sealant applied into the right jamb and one block into the left jamb.**
- D. Install the remaining blocks in the same manner as before, except do not apply sealant in the last vertical joint. Insert the last spacer after installing the last block.**



E. Apply a 1/4" bead of sealant horizontally across the top of the opening 1/2" from the face of the glass blocks. This sealant line will be used to secure the second half of the top channel.



F. Apply a 1/4" bead of sealant along the top inside leg of the second half channel.



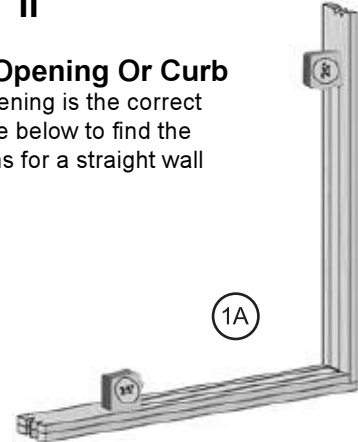
G. Slide the half channel into place between the blocks and the top of the opening. If necessary, temporarily apply a piece of tape to the channel to hold it in place until the sealant sets.

H. Wait 24 hours before finishing the joints to allow the sealant to cure.

ProVantage™ II

1. Prepare The Opening Or Curb

A. Make sure the opening is the correct size. Use the table below to find the correct dimensions for a straight wall with two jambs.



ProVantage™ II Wall Anchor Construction Using 8" High Glass Block

Number of Blocks	Rough Opening Width and Height (Inches)		
	4"	6"	8"
1	4-9/16	6-9/16	8-9/16
2	8-1/2	13-1/2	16-1/2
3	12-3/8	18-3/8	24-3/8
4	16-1/4	24-1/4	32-1/4
5	20-1/8	30-1/8	40-1/8
6	24	36	48
7	27-7/8	41-7/8	55-7/8
8	31-3/4	47-3/4	63-3/4
9	35-5/8	53-5/8	71-5/8
10	39-1/2	59-1/2	79-1/2
11	43-3/8	65-3/8	87-3/8
12	47-1/4	71-1/4	95-1/4

*Note: Blocks are available in 4" x 8", 6" x 8", and 8" x 8" sizes
For larger panels
add 3-7/8" for each additional 4" wide block...
add 5-7/8" for each additional 6" wide block...
add 7-7/8" for each additional 8" block.*

B. For walls with curves and/or angles it is recommended that you layout your wall before constructing a curb.

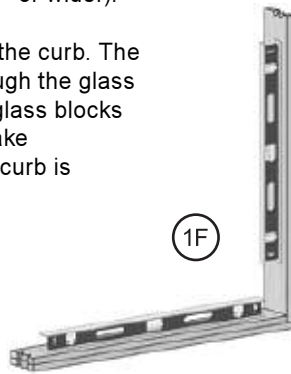
C. Make sure the curved and/or angled sections of your opening or curb are configured correctly.



D. The curb must be as wide as, or wider than, the glass block thickness (4" or wider).

E. Apply finish material to the curb. The curb will be visible through the glass blocks. If installing the glass blocks in a wet environment, take steps to ensure that the curb is waterproof.

F. Use a level to make sure the opening is level and plumb.

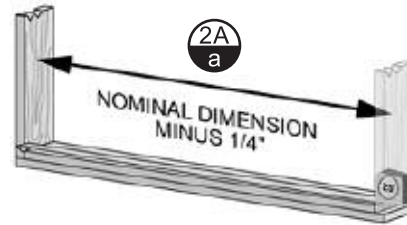


G. If your project has 3 or 4 sides, measure diagonally from corner to corner in both directions and compare the dimensions to check for squareness. These dimensions should be equal within 1/8".

H. If there are any problems with the opening or curb, adjust it before proceeding.

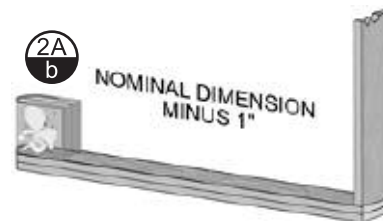
2. Test Fit The First Row

- A. Cut horizontal spacers for straight sections of the wall.
- a. For straight walls between two jambs or one jamb and a shaped block, cut the horizontal spacer 1/4" shorter than the nominal dimension.



Note: If it is necessary to have a joint in the horizontal spacer, to extend it to fit the width of the section, make sure the joint will align with a vertical spacer. Stagger these joints on each following row.

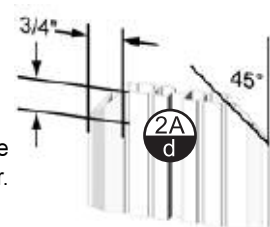
- b. For straight sections between one jamb and an EndBlock™, cut the horizontal spacer 1" shorter than the nominal dimension.



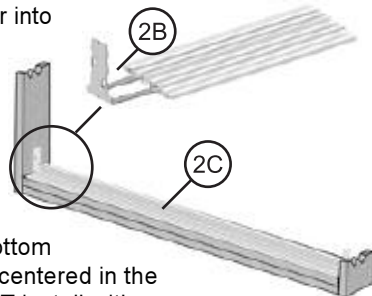
- c. For straight sections between a shaped block and an EndBlock™, cut the horizontal spacer 3/4" shorter than the nominal dimension.



- d. For EndBlock™, trim the end of the spacer to fit the shape by cutting the two corners at a 45° angle 3/4" from each corner.



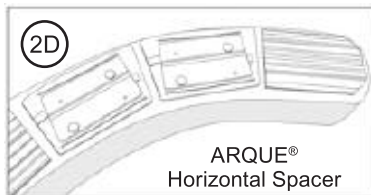
B. Insert an anchor into the ends of the horizontal spacers where they meet a jamb.



C. Place the spacer in the bottom of the opening, centered in the section. DO NOT install with screws.

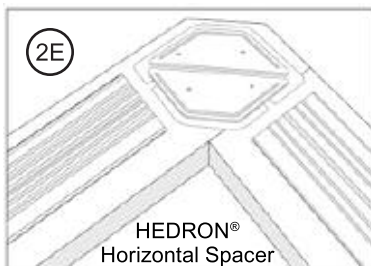
D. Curved wall sections:

- Remove the barbed tabs from a half ARQUE® horizontal spacer.
- Place the spacer in the bottom of the opening, centered under the ARQUE® block location. There should be a 1/2" tapered to 1/4" gap between straight sections of spacer and the shaped spacer.



E. 90° angled wall sections:

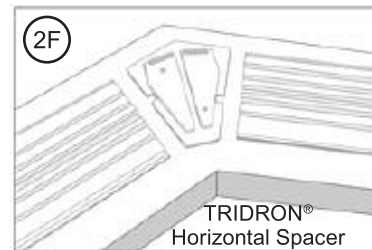
- Remove the barbed tabs from a half HEDRON® horizontal spacer.
- Place the spacer in the bottom of the opening, centered under the HEDRON® block location. There should be a 1/2" gap between straight sections of spacer and the shaped spacer.



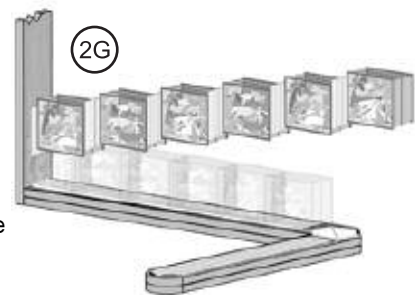
15

F. 45° angled wall sections:

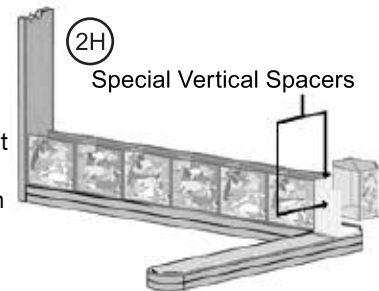
- Remove the barbed tabs from a half TRIDRON® horizontal spacer.
- Place the spacer in the bottom of the opening, centered under the TRIDRON® block location. There should be a 1/2" gap between straight sections of spacer and the shaped spacer.



G. Install the first row of blocks and vertical spacers, starting with a vertical spacer in the jamb.

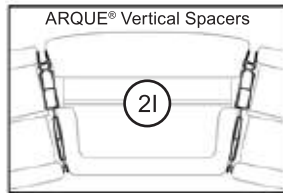
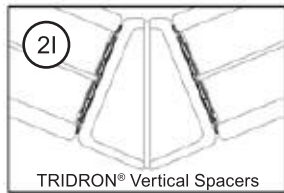
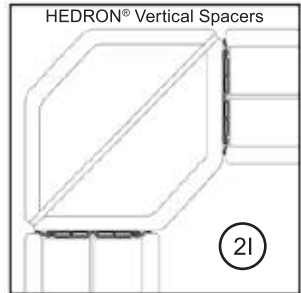


H. There are special vertical spacers for shaped blocks. Be sure to insert these spacers before, between and after shaped blocks.

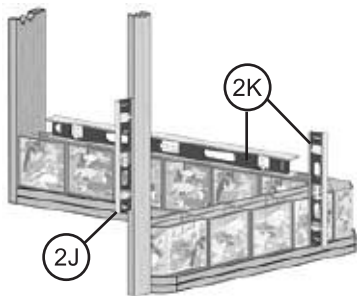


I. The vertical spacers for HEDRON® and TRIDRON® blocks are flat, the spacers for ARQUE® blocks are tapered. The smaller end is placed at the back of the ARQUE® block. The appropriate vertical spacers are packaged with the shaped horizontal spacers.

16



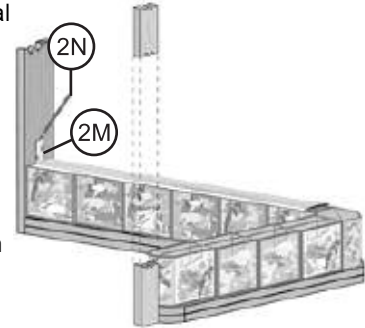
J. If your project does not have a jamb on both ends, you may need to temporarily prop a 2 x 4 stud at the open end of the wall. Make sure the stud is plumb. This stud will serve as a plumb point for you to follow as you set the blocks.



K. Check the first row for level lengthwise and crosswise. Make sure the blocks are straight and plumb.

L. If necessary, insert shims under the horizontal spacers to level the row. Use a flat blade screwdriver to lift the horizontal spacer as you insert shims.

M. Place a horizontal spacer with anchor inserted into the ends, on top of the first row.

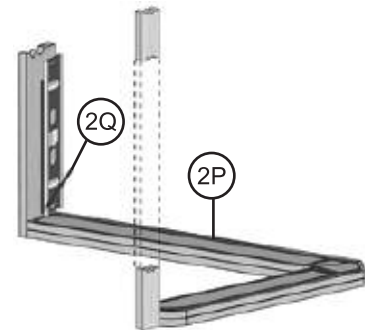


N. Mark the location of the anchor V notch on the jamb. If your wall has two jambs, mark the anchor locations on both jambs. These marks will be used to draw a plumb line on the jambs.

O. Remove the top horizontal spacer, blocks and vertical spacers, being careful not to disturb the bottom horizontal spacer or shims.

P. Trace the outline of the horizontal spacers and mark the shim locations.

Q. Using a level, draw a plumb line on the jambs the height of the panel, starting in the V notch of the anchor. This will be the center line for all the anchors.



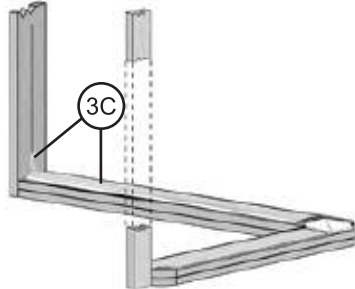
3. Install The First Row

Straight sections:

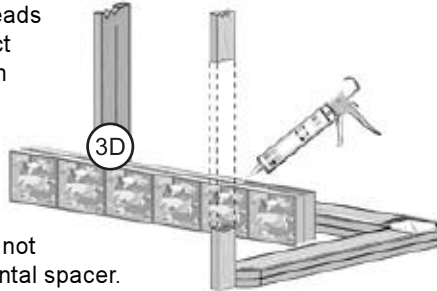
A. Apply two 1/4" beads of sealant to the curb, 1/4" inside the traced outline of the horizontal spacers.

B. Replace shims in the marked locations.

C. Reinstall the bottom horizontal spacer, with anchor inserted, pressing it down into the sealant. Do not attach the anchor with screws.



D. Line up the blocks that will be installed on top of the horizontal spacer. Apply two 1/4" beads of sealant across the top of the blocks, just behind the raised edges. These blocks will be turned over when installed so the sealant beads will contact the bottom horizontal spacer.

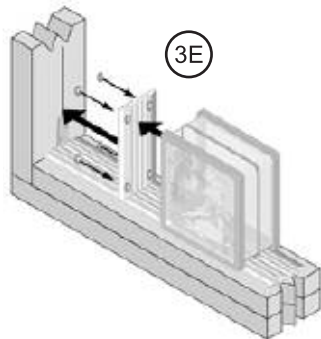


Always apply the sealant to the block, not the horizontal spacer.

E. Install the first glass block and vertical spacer.

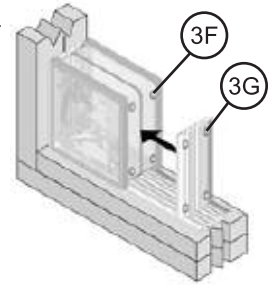
- Apply four 1/2" dabs of sealant to a vertical spacer, 1/2" from each corner.
- Press the vertical spacer (sealant towards the anchor) into place over the anchor.
- Apply four 1/2" dabs of sealant to the vertical spacer, 1/2" in from each corner.

- Install the first block with the sealant beads down on the horizontal spacer. Push the block firmly against the jamb and base.



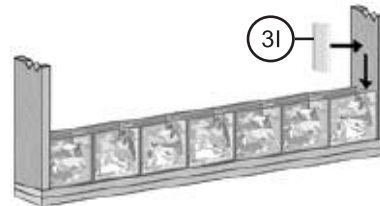
F. Apply four 1/2" dabs of sealant to the side of the previously installed block, 1/2" in from each corner. Press a vertical spacer into place on the sealant dabs.

G. Apply four 1/2" dabs of sealant to the vertical spacer, 1/2" in from each corner. Install the next block with the sealant beads down.

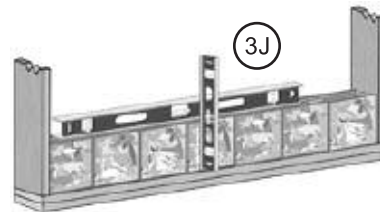


H. Continue installing blocks and vertical spacers in this manner until you reach the last slot in the straight section. DO NOT apply sealant to the side of the last block that meets a jamb or shaped block.

I. If your project is a straight wall with two jambs, complete the first row by inserting a vertical spacer, with no sealant applied, between the last block and the jamb.



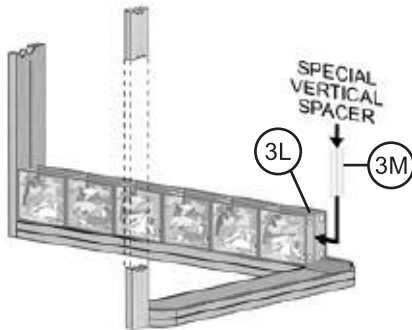
J. Check the first row for level lengthwise and crosswise, and adjust shims as needed.



K. If your project has shaped blocks, continue with Step L to complete the first row.

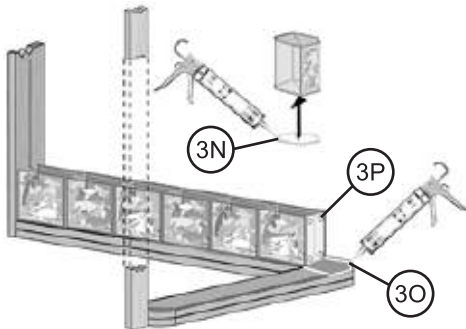
HEDRON®, TRIDRON® and ARQUE® blocks:

L. Apply four 1/2" dabs of sealant to the side of the previously installed block that faces the shaped block, 1/2" in from each corner.



M. Press an appropriate vertical spacer into place on the side of the block. Remember, there are special vertical spacers for use with shaped blocks. The vertical spacers are packaged with the shaped horizontal spacers for each block.

N. Apply a 1/4" bead of sealant around the raised impression of the shaped, half horizontal spacer, and attach it to the bottom of the shaped block.

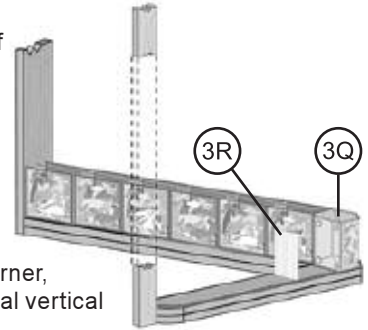


O. Apply a 1/4" bead of sealant around the inside perimeter of the traced outline of the half spacer.

P. Apply four 1/2" dabs of sealant to the vertical spacer facing the shaped block, 1/2" from each corner.

Q. Install the shaped block with the half horizontal spacer down.

R. Apply four 1/2" dabs of sealant to the side of the shaped block, 1/2" from each corner, and press a special vertical spacer into place.



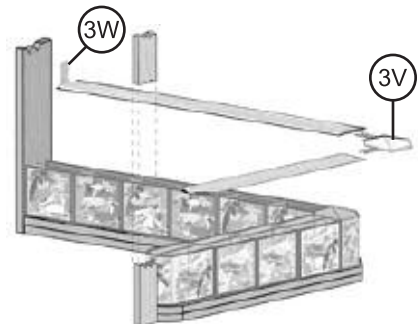
S. Install the remaining horizontal spacers, blocks and vertical spacers to complete the first row.

T. Make sure the first row is straight, plumb, and level lengthwise and crosswise. Insert or adjust shims as needed.

U. If you have propped a temporary 2 x 4 at the end of your project, make sure it is plumb, and the blocks are aligned correctly.

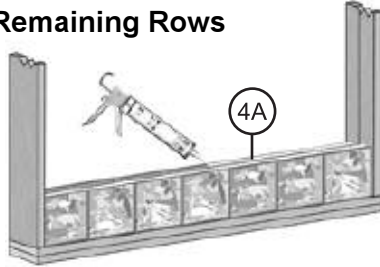
V. If your project has shaped blocks, assemble the horizontal spacers that fit on top of the first row by inserting the barbed tabs of the shaped spacers into the slots in the straight spacers or adjoining shaped spacers.

W. Insert an anchor into the end of the horizontal spacer where it meets the jamb and test fit the assembled spacers on top of the first row of blocks. Adjust the horizontal spacers to fit firmly on top of each block.



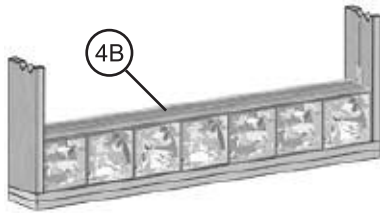
4. Install The Remaining Rows

A. Apply two 1/4" beads of sealant on top of the straight sections of the previous row of blocks, just behind the raised edges. If your project has shaped blocks, apply a 1/4" bead of sealant around the top perimeter of the shaped blocks in the previous row.

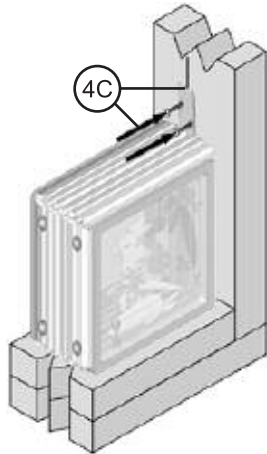


B. Install the horizontal spacers, with anchors inserted in each end that contacts a jamb, on top of the blocks. Make sure the spacers fit firmly on the glass blocks. Press the spacer down onto the sealant.

C. Align the V notch in the anchor with the plumb line drawn on the jamb, and attach the anchor using the screws provided in the anchor pack. If your project has two jambs, be sure to attach the anchors at each end.



D. Remove any excess sealant from the horizontal and vertical joints. Adjust the size of sealant beads to prevent squeeze out (keep joint area clean of sealant). Do not change the location of the beads of sealant.

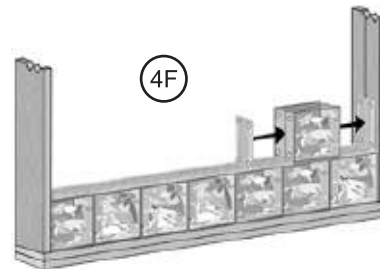


Straight sections:

E. Line up the blocks that will be installed on top of the horizontal spacer and apply two 1/4" beads of sealant across the top of the blocks, just behind the raised edges.

F. Install the glass blocks and vertical spacers. If your project has two jambs, start at the opposite jamb as the previous row.

- Apply four 1/2" dabs of sealant to a vertical spacer, 1/2" from each corner, and press it into place over the anchor.
- Apply four 1/2" dabs of sealant to the vertical spacer, 1/2" in from each corner.
- Install a block with the sealant beads down on the horizontal spacer, pressing it firmly against the jamb.
- Apply four 1/2" dabs of sealant to the side of the block 1/2" from each corner, and press a vertical spacer into place.



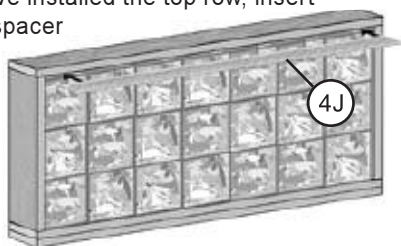
G. Continue installing blocks and vertical spacers in this manner until you reach the last slot in the straight section. Do not apply sealant to the side of the last block. This is the side of the block that meets the jamb or shaped block. If your project has shaped blocks, skip to Step M.

Straight walls with 2 jambs:

H. Complete the row by inserting a vertical spacer, with no sealant applied, between the last block and the jamb.

I. Check the row for level lengthwise and crosswise, and adjust, as needed. Repeat Steps 4A - 4H to install the remaining rows.

- J. Once you have installed the top row, insert a horizontal spacer between the top of the blocks and the framed opening, if space permits.

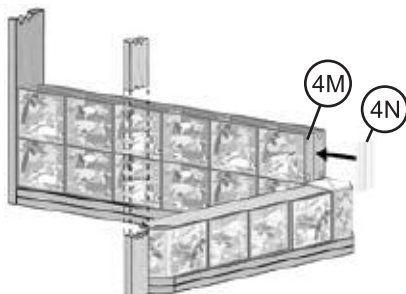


- K. Check the wall for straight and plumb one more time. If necessary, use a rubber mallet to gently tap the wall into alignment.

- L. Let the sealant dry overnight before finishing the joints.

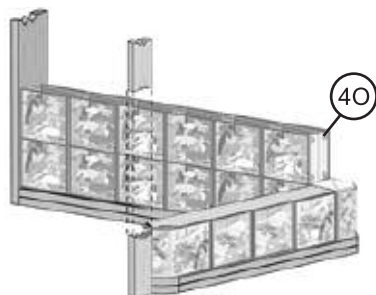
HEDRON®, TRIDRON® and ARQUE® blocks:

- M. Apply four 1/2" dabs of sealant to the side of the previously installed block, 1/2" from each corner.

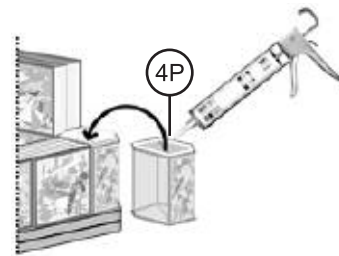


- N. Press a special vertical spacer into place on the side of the block. Remember, there are special vertical spacers for use with shaped blocks.

- O. Apply four 1/2" dabs of sealant to the special vertical spacer.

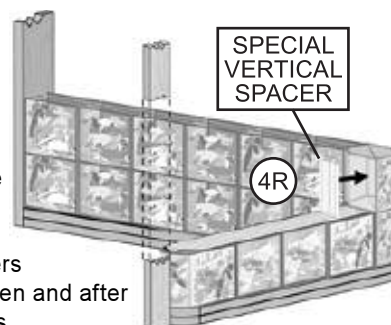


- P. Apply a 1/4" bead of sealant around the top perimeter of the shaped block and install it sealant side down on top of the spacer.



- Q. If another shaped block is next, install it in the same manner.

- R. Install the remaining blocks and vertical spacers in the row. Make sure you insert special vertical spacers before, between and after shaped blocks.



- S. Make sure the row is straight, plumb, and level lengthwise and crosswise. Adjust shims as needed.

- T. If you have propped a temporary 2 x 4 at the end of your wall, make sure it is plumb, and the blocks are aligned correctly.

- U. Install the remaining rows in the same manner.

- V. Once all components are installed, check the wall for straight, plumb and level one more time. If necessary, use a rubber mallet to gently tap the wall into alignment.

- W. Let the sealant dry overnight before finishing the joints.

- X. After the sealant is dry, use long nose pliers to remove shims, and fill the spaces with sealant.

Grout Finishing

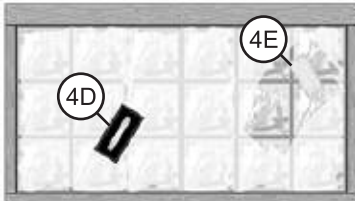
IMPORTANT: The ProVantage™ Surface Grout was designed and tested for this application - DO NOT SUBSTITUTE!



CAUTION: Avoid contact with skin. Safety glasses and impervious gloves are recommended to minimize skin and eye contact.

Do not finish the joints until sealant has cured for 24 hours. If you installed a temporary 2 x 4 stud at the open end of your project, remove it before finishing the joints.

- A. Remove any sealant squeezed out from the joints with a utility knife.
- B. Mix a half bag of grout according to the directions on the bucket. This will grout approximately 40 blocks.
- C. Let the mixture set for 5-10 minutes after mixing.
- D. Spread the grout using a rubber float, pressing the grout into the joints. Be sure to push grout in from multiple directions to ensure the joints are fully packed. Be careful not to move the glass blocks while applying grout. The wall will be a bit flexible until the grout has cured.

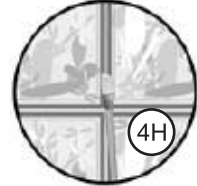


- E. Use a damp tile sponge and clean water to wipe off excess grout. Wipe in multiple directions, diagonally across the blocks to prevent removing grout from the joints. Rinse the sponge frequently.

- F. Let the grout set for 15 minutes, then wipe it again using clean water.

- G. Let the grout cure for 4 hours, then use cheesecloth to polish any film off the blocks.

- H. Apply sealer to the grout lines with a paint brush. Immediately wipe sealer off glass surfaces to prevent it from adhering to the glass.



- I. Apply a second coat of sealer once the first coat is dry.

- J. After the grout has cured for 72 hours, caulk all perimeter joints with a bead of sealant.



Sealant Finishing

IMPORTANT: Not recommended for shower applications.

CAUTION: Avoid contact with skin. Safety glasses and impervious gloves are recommended to minimize skin and eye contact. Provide sufficient mechanical ventilation.

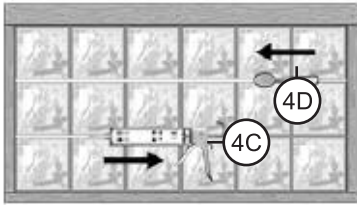
Do not finish the joints until sealant has cured for 24 hours. If you installed a temporary 2 x 4 stud at the open end of your project, remove it before finishing the joints.

Note: If you are installing blocks in a moist environment or if your wall is not framed on all four sides, grout finish is recommended.

- A. Remove any sealant squeezed out from the joints with a utility knife.

- B. Open the sealant as instructed on the tube. Coverage rate is one tube per 16 blocks. Do not seal more joints than you can tool in 15 minutes.

- C. Seal the horizontal joints first by placing the nozzle of the tube in the joint at the perimeter on a 45° angle. Pull the tube along the joint while laying a bead of sealant. Slightly overfill the joints.



- D. Push the spoon shaped finishing tool over the joints at a 45° angle to collect the excess sealant and seal the joint. Periodically wipe the sealant from the finishing tool.
- E. Seal the vertical joints in the same manner. Carefully work the joint intersections to create a smooth finish.
- F. Let the sealant cure for 48 hours before putting any stress on the panel.
- G. Seal the perimeter joints with sealant.

Maintenance

An important part of the functional beauty of Pittsburgh Corning Glass Block products is that they are virtually maintenance free! There's nothing to rot, rust, peel or paint. All that is needed is an occasional wiping with a damp, soft cloth on interior panels or a hosing on exterior panels. With minimal attention, your Pittsburgh Corning Glass Block will remain sparkling and beautiful for years!

If you need assistance

We hope these instructions are clear and answer your questions about the installation of Pittsburgh Corning Premiere Series Glass Blocks and Finishing Units with the ProVantage™ Glass Block Installation

System. For additional information on Pittsburgh Corning Glass Block visit our website at www.pittsburghcorning.com or call 1-800-624-2120.

The information contained herein is accurate and reliable to the best of our knowledge. But, because Pittsburgh Corning has no control over installation, workmanship, accessory materials, or conditions of application NO REPRESENTATION OR WARRANTY, EXPRESSED OR IMPLIED, EITHER AS TO MERCHANTABILITY OR FITNESS FOR A PARTICULAR PURPOSE, IS MADE as to the performance or results of an installation containing the products which extends beyond the description on the face hereof and ANY AND ALL LIABILITY FOR NEGLIGENCE, STRICT LIABILITY OR ANY OTHER THEORY OF TORT LIABILITY IS EXPRESSLY DISCLAIMED.

If the products otherwise fail to conform to the representations made herein, through no fault of the buyer, buyer's exclusive remedy at Pittsburgh Corning's option, is the repair or replacement, of the nonconforming products or return of the purchase price paid by purchaser. If replacement is elected, Pittsburgh Corning will not be responsible for installation or labor costs. In no event shall Pittsburgh Corning be responsible or liable for any incidental, special, consequential or punitive damages which might result from product failure, regardless of the theory of liability upon which any such damages are claimed.

Pittsburgh Corning Corporation provides written warranties for many of its products, and such warranties take precedence over the statements contained herein. You may obtain a copy of the warranty for this product by contacting Pittsburgh Corning.